



## LED DOUBLE RING FLUSH MOUNT CEILING LIGHT



**Application:** Ideal for residential place, office, hallways, utility room and commercial place such as hotel rooms.

### Certifications



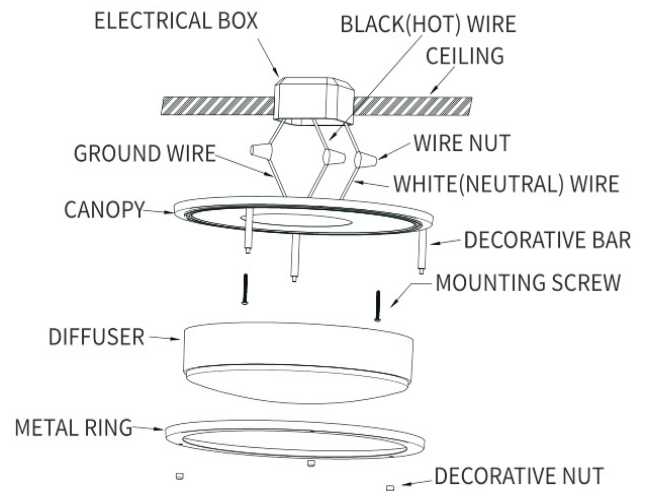
### Product Description

LED Double ring ceiling flush mount ceiling light is an ideal low maintenance, high efficiency light option for different places in a more stylish way.

### FEATURE

- WARRANTY--5-year limited warranty
- 10%-100% Dimmable
- Damp Location
- Durable polymer cover

### STRUCTURE



### SPECIFICATIONS:

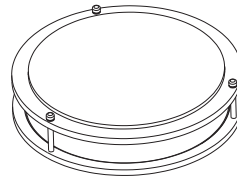
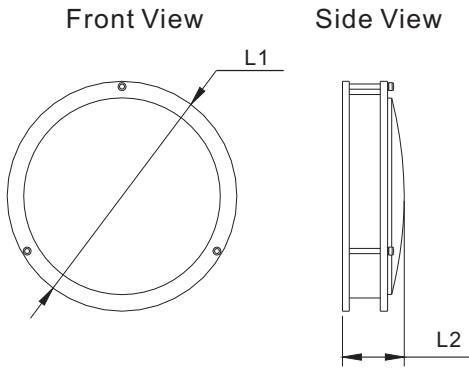
Model No.	HY -DR12-16WCCT	HY -DR14-22WCCT	HY -DR16-26WCCT
Wattage	16W	22W	26W
Size	12"	14"	16"
Lumens	1450 LM	1850 LM	2200 LM
Rated Input Voltage(V)	AC 120V		
Light Source	SMD		
CCT	CCT Selectable: 2700K/3000K/3500K/4000K/5000K		
Body	Stainless Steel		
Beam Angle (°)	110°		
Dimming	YES		
Lumen Efficiency	80~85 Lm/W		
Color Rendering Index	Ra>80		
Power Factor	0.95		
Working Temperature	-4 ° F ~+105 °F / -15°C ~40°C		
Storage Temperature	-4 ° F ~+105 °F / -15 ° C ~ +40 ° C		
Environment Location	IP 20 – Indoor Only		
Lifespan	Lumen Maintenance over 70% @ 50,000+ Hours		
Body Finish	Brushed Nickel		
Certificate	Energy Star/ ETL		
Package Info	18.5"X13.0"X13.2"	19.9"X14.8"X15.0"	23.3"X16.7"X16.5"
PC/ Master Pack	6	6	6
Weight	5.99 kg/13.2 lbs	8.1 kg/17.9 lbs	10.03 kg/22.1 lbs

## ORDERING CODE DEFINITION

### EXAMPLE: HY -DR12-16WCCT

Company Code	Product	Size	Power:	CCT
HY	DR: Double Ring Flush Mount Ceiling Light	12"	16W	5 CCT Selectable: 2700K/3500K/4000K/5000K/6500K
		14"	22W	
		16"	26W	

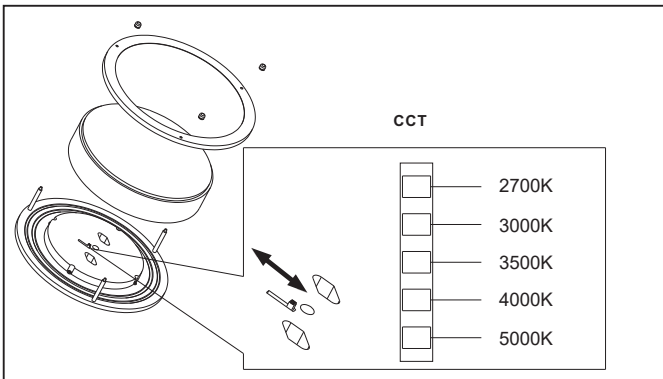
## PRODUCT DIMENSION



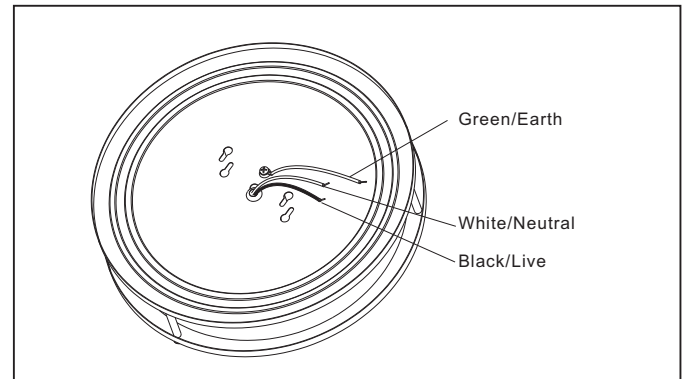
Model No.	HY-DR12-16WCCT	HY-DR14-22WCCT	HY-DR16-26WCCT
Size			
L1	Φ305mm/Φ12"	Φ355mm/Φ14"	Φ405mm/Φ16"
L2	65mm/2.56"	75mm/2.95"	85mm/3.35"

## INSTALLATION GUIDE

### 1 CCT Adjustable



### 2 Wiring Guide



## PHOTOMETRIC REPORT

