



LED Linear Up and Down (Direct/Indirect) Light



Application: Office; Retail; school/institution; gallery; government agency; grocery store and more hospitality and commercial applications

Accessories

Image	Description
	Suspension Kit and Canopy (Included)
OR	Connection Plate (Included)
	Wall Mount Clip (Sold Separately)
	Surface Mount Clip (Sold Separately)

Feature

- Working temperature: - 4°F ~+104°F / - 20°C ~+40°C
- Suitable for damp location
- Lumen Maintenance over 70% @ 50,000+ Hours
- CRI: 80+; PF>0.95
- Beam Angle: 100°
- 0-10V Dimmable: 6.5ft 5wire power feed cable included
- 6.5' adjustable hanging cables included
- Body: White or Black Finish. Aluminum Heatsink for Efficient Heat Dissipation
- Linkable: with wire harness connection kit included for connecting power between fixtures.
- CCT adjustable: top and bottom LED controlled by separate switch for different color needs
- 30% top and 70% down light output at regular setting, top light can be disconnected for 100% down during installation

Specification

Model	Length	Watt	CCT	Lumens	Finish	Dimmable	Voltage	DLC#
HY-2FT-LUD-25W-30K/40K/50K (XX)	2ft	25W	3000K/4000K/5000K	3250 lm	White	0-10V	120-277V	S-Y6X38K
HY-4FT-LUD-50W-30K/40K/50K (XX)	4ft	50W	3000K/4000K/5000K	6500 lm	White Black	0-10V	120-277V	PYOC8G5A
HY-8FT-LUD-100W-30K/40K/50K (XX)	8ft	100W	3000K/4000K/5000K	13000 lm		0-10V	120-277V	S-5Q0T01

Joint Guide

Name	LUD Accessories: L Shape Joint	LUD Accessories: T Shape Joint	LUD Accessories: X Shape Joint
Model No.	HY-LUD-ACC-L-12W-CCT	HY-LUD-ACC-T-12W-CCT	HY-LUD-ACC-C-15W-CCT
Watt	12W	12W	15W
CCT	3000K/4000K/5000K	3000K/4000K/5000K	3000K/4000K/5000K
Finish	White	White	White



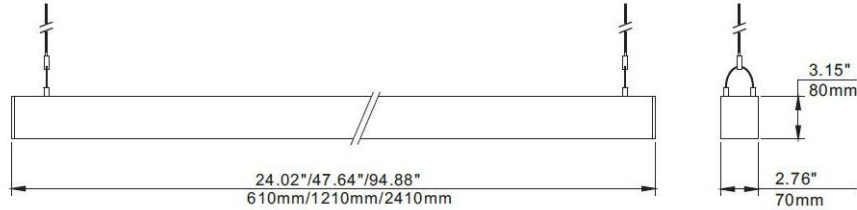
LED Linear Up and Down (Direct/Indirect) Light

Dimensions

Linear

2ft/4ft/8ft Front View

Side View

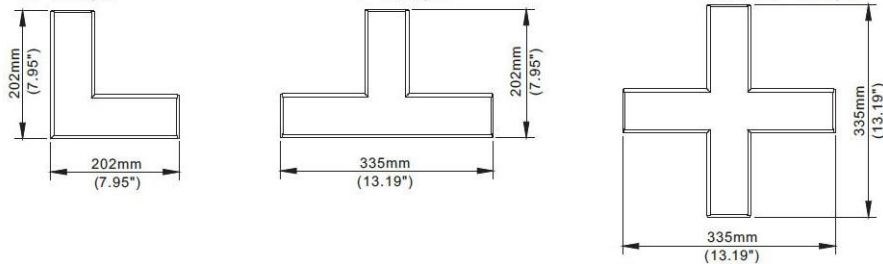


LUD Series Accessories

L Shape

T Shape

CROSS Shape

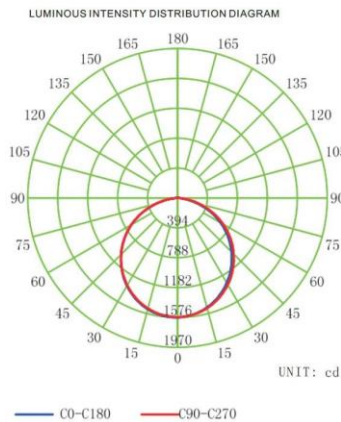


Package Information

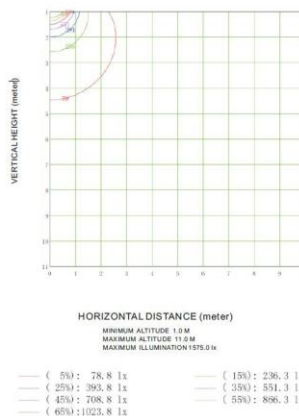
Model. No.	HY-2FT-LUD-25W-30K/40K/50K	HY-4FT-LUD-50W-30K/40K/50K	HY-8FT-LUD-100W-30K/40K/50K	HY-LUD-ACC-L-12W-CCT	HY-LUD-ACC-T-12W-CCT	HY-LUD-ACC-C-15W-CCT
Size	2FT	4FT	8FT	L Shape	T Shape	X/Cross Shape
QTY/PACK	4PCS/PACK			12PCS/PACK	6PCS/PACK	
Package Size	655X258X258mm 25.79"X10.16"X10.16"	1255X258X258mm 49.41"X10.16"X10.16"	2455X258X258mm 96.65"X10.16"X10.16"	605X300X235mm 23.82"X11.81"X9.25"	600X360X235mm 23.62"X14.17"X9.25"	600X360X365mm 23.62"X14.17"X14.37"
Package Weight	8.51 kg/18.74 lbs	17.95 kg/39.57 lbs	24.02 kg/52.91 lbs	13.12 kg/28.89 lbs	8.31 kg/18.3 lbs	10.21 kg/22.49 lbs
Package CBM	0.043599	0.083538	0.163415	0.163415	0.05076	0.07884
40GP Capacity	-	~2770PCS	~1450PCS	-	-	-
40HQ Capacity	-	~3250PCS	~1660PCS	-	-	-
45HQ Capacity	-	~3730PCS	~1910PCS	-	-	-

Photometric Report

4ft LINEAR LIGHT



VERTICAL EQUILINOUS CURVE



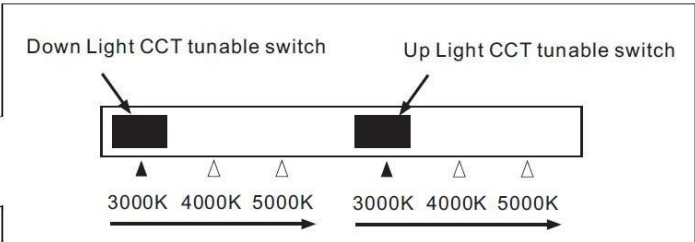
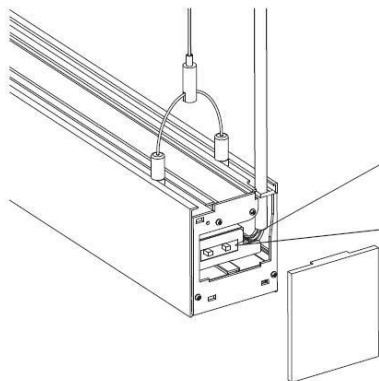


LED Linear Up and Down (Direct/Indirect) Light

Installation

CCT Adjustable

Open the end cap the side With AC wire as the picture shows. Moving the Dip to choose the CCT or you want as the label shows.



NOTE:
The SAME is true of CCT Adjustable for LUD series accessories

Suspension Installation

1

75mm ± 5 (2.95" ± 0.197") 1000mm ± 20 (39.37" ± 0.787") 75mm ± 5 (2.95" ± 0.197")

Drill a hole of 5.0mm in diameter as shown in the figure at the location required for installation. Then hammer the plastic anchor into the hole

2

M type mounting bracket

Insert PA4X35 screws into the M type mounting bracket and then drill into the plastic anchor.

3

Rotate and fasten 2 fixing heads and 2 screws of left end; hold steel wire rope and lift lamp upward, then adjust balance screws to balance light, finally tighten balance screws.

4

Cable protective covert
Nex Nut
Wire Clamp

Insert the wire clamp into the middle hole of the disc and tighten the wire clamp with hex nut; Clip the cable protective cover into the AC line hole of the disc.

5

Grey/0-10v DIM-
Purple/0-10v DIM+
Green/Earth
White/Neutral
Black/Live

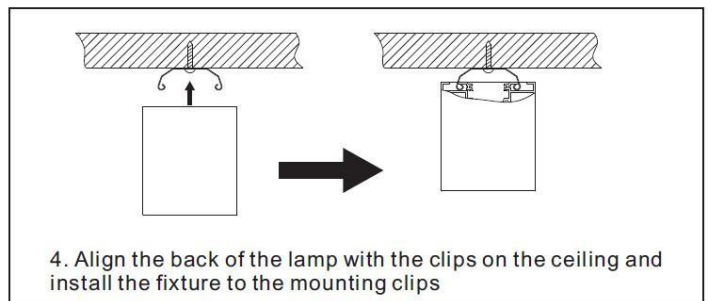
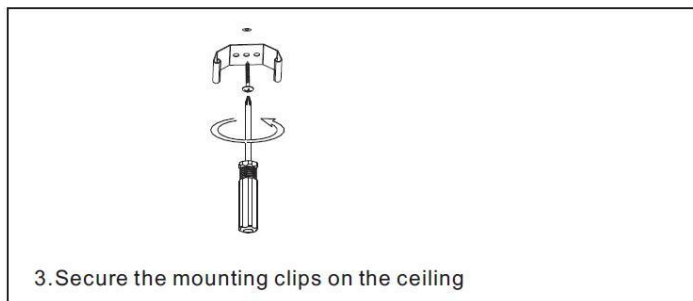
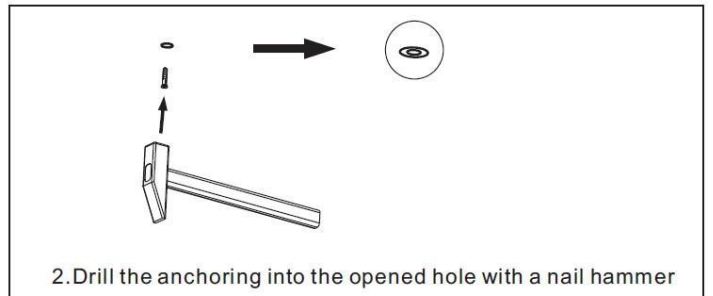
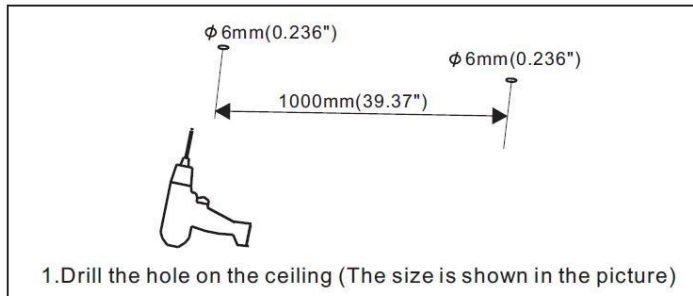
Press the wire clamp as shown in the figure, and then insert the stainless steel wire into the inner hole of the wire clamp; The mounting height of the lamp could be adjusted by this wire clamp.
Insert the AC input cable through the cable protective cover and connect it with the AC line by the corresponding connection wire with L, N, GND
Adjust the length of the AC input cable, align the side holes of the disc and the mounting bracket as shown in the figure, then tighten the screw.
The installation is completed.



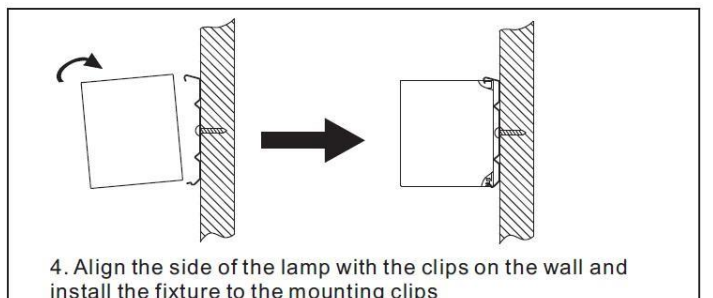
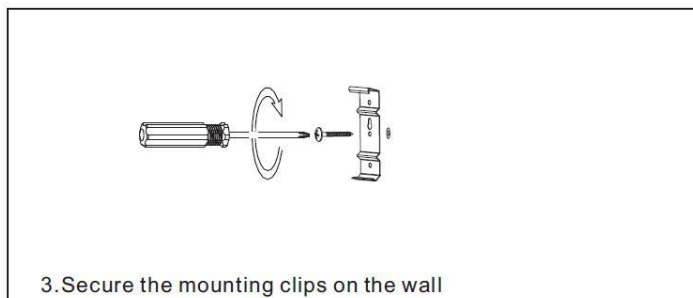
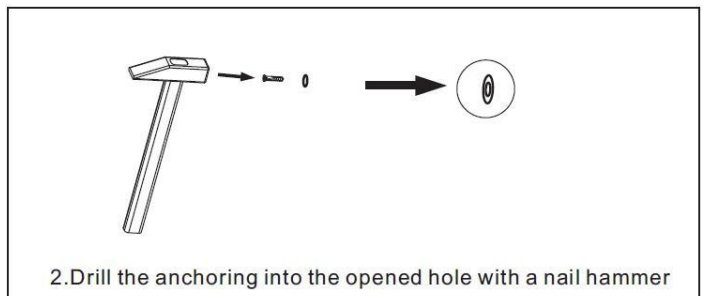
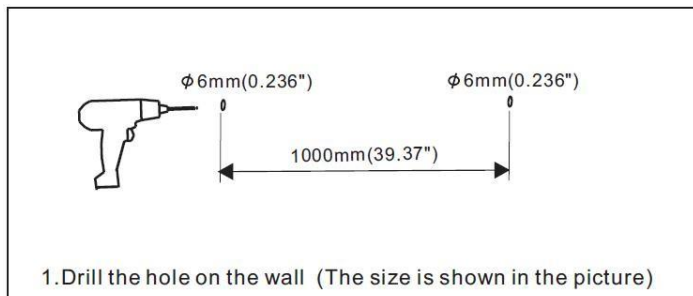
LED Linear Up and Down (Direct/Indirect) Light

Installation

Surface Mount Installation



Wall Mount Installation

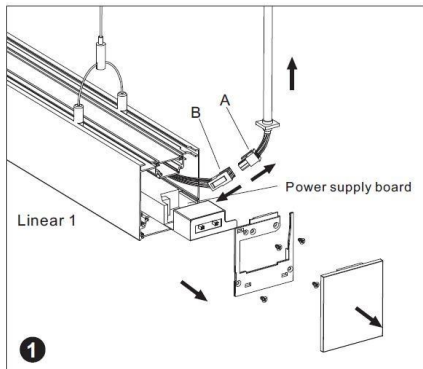




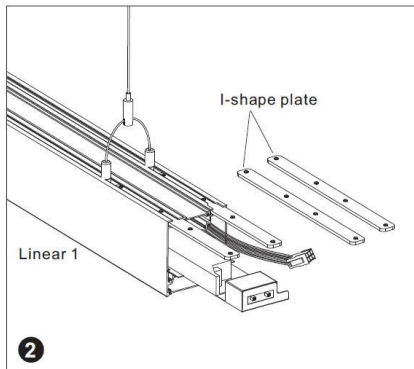
LED Linear Up and Down (Direct/Indirect) Light

Installation

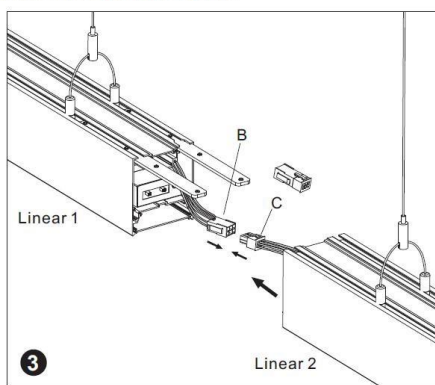
Connection Installation



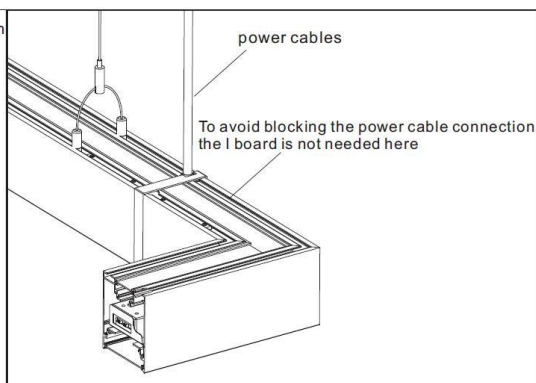
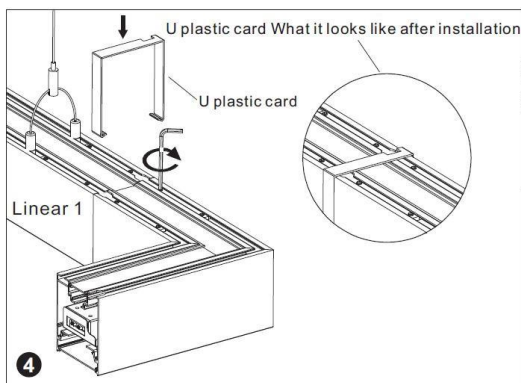
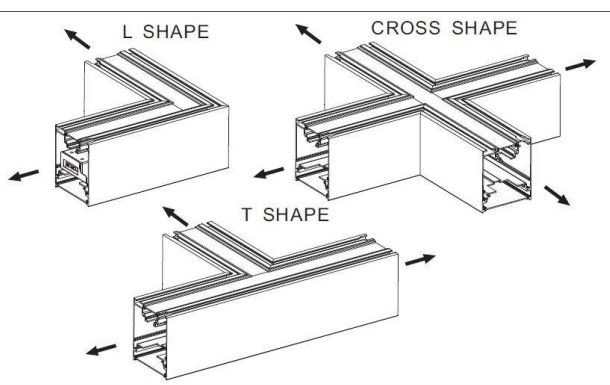
1 Install the Linear 1 to the ceiling as instruction of Suspension Installation. Open the end cap as the picture shows. Pull out 1/2 Power supply board of Linear1, and move out the AC wires. Disconnect the A and B parts.



2 Insert the I-shape plate to the track as the picture shows.

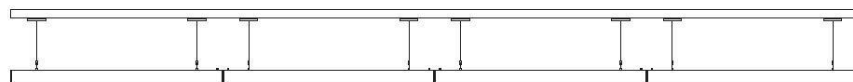


3 Install the Linear 2 (or L shape, T shape, CROSS shape combination connection fittings) to the ceiling and open the end cap, connect B and C as the picture shows.



4 Push back Power Supply Board to Linear 1 then insert the I-shape plate to Linear 2 (or L shape, T shape, CROSS shape Combination connection fittings), tighten the I-shape plate with 8 pcs screws. Finally, the U plastic card is buckled at the joint to make the lamps and lanterns more beautiful

Install the Linear Light as above method, keep one main input cord on one side.



NOTE: LED LINEAR CAN BE JOINED TOGETHER AS NEEDED, BUT THE TOTAL NUMBER OF FIXTURES SHOULD BE NOT MORE THAN 7PCS (INCLUDING 7PCS) If you order to use 18# cord, More Links can be Customized.