



## LED STRIP LIGHT AND STAIRWELL FIXTURE



**Application:** Commercial; Industrial; Warehouse; Retail; Residential garage; school/institution; government agency; grocery store...

ACCESSORIES	
Image	Description
	J-Box Mounting Plate (Included)
	Suspension Mount Kit (Included)
	Alignment Bracket (Sold Separately)

FEATURE
<ul style="list-style-type: none"> <li>Working temperature: - 4°F ~+104°F / -20°C ~+40°C</li> <li>Suitable for damp location</li> <li>Lumen Maintenance over 70% @ 50,000+ Hours</li> <li>CRI: 80+; PF&gt;0.9</li> <li>Beam Angle: 120°</li> <li>Body: White Finish. Aluminum Heatsink for Efficient Heat Dissipation</li> <li>Linkable: with wire harness connection kit included for connecting power between fixtures.</li> <li>Low-profile design with PMMA lens gives even no glare light distribution</li> <li>Watt and CCT adjustable to fit for different locations</li> <li>With option of build-in motion sensor or emergency backup driver</li> </ul>

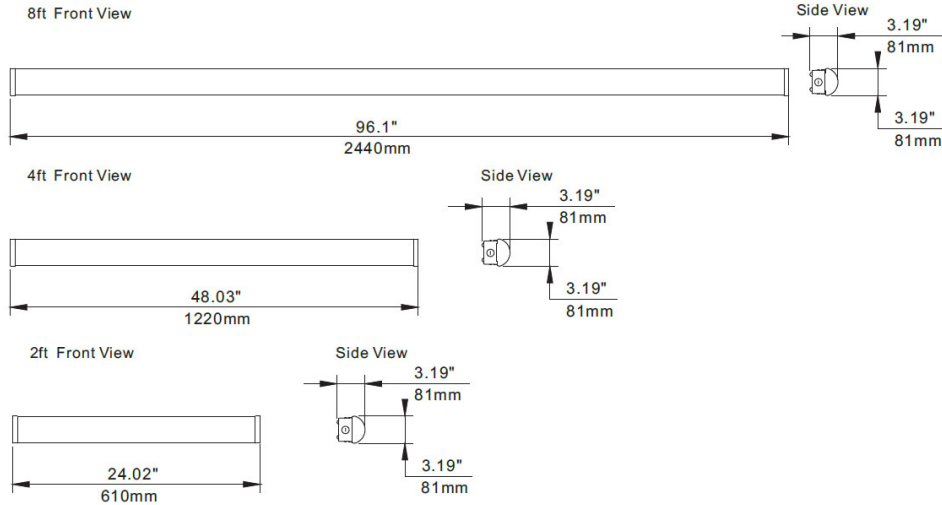
ORDERING GUIDE							
Model	Length	Watt	CCT	Lumens	Dimmable	Voltage	OPTION
HY-2FT-LS100-20W-3CCT	2ft	20W	3000K/4000K/5000K	2600 lm	0-10V	120-277V	N/A MS: Motion Sensor EM: Emergency Driver
HY-4FT-LS100-3W3CCT	4ft	20/30/40W	3000K/4000K/5000K	2600/3900/5200lm	0-10V	120-277V	
HY-8FT-LS100-3W3CCT	8ft	40/50/60W	3000K/4000K/5000K	5200/6500/7800lm	0-10V	120-277V	
HY-8FT-LS100-H-3W3CCT	8ft	40/60/80W	3000K/4000K/5000K	5200/7800/10400lm	0-10V	120-277V	

OPTION SPEC						
Motion Sensor						
Model No.	Power Supply	Mounting Height	Dim Level	Daylight Control	Hold Time	Standby-by Time
ANT-3A	12V-24V DC	Max 13FT	0%/10%/30%/50%	10/30/50Lux	10s/1M/5M/15M	Infinite/1Min/30Min/60Min
Emergency Driver						
Model No.	Input Voltage	Emergency Time	Output Current and Voltage	Output Power		
BLD-CM20E-480800-8W	100 277Vac	≥1.5H	160-320mA 25 48Vdc	8W		



## LED STRIP LIGHT AND STAIRWELL FIXTURE

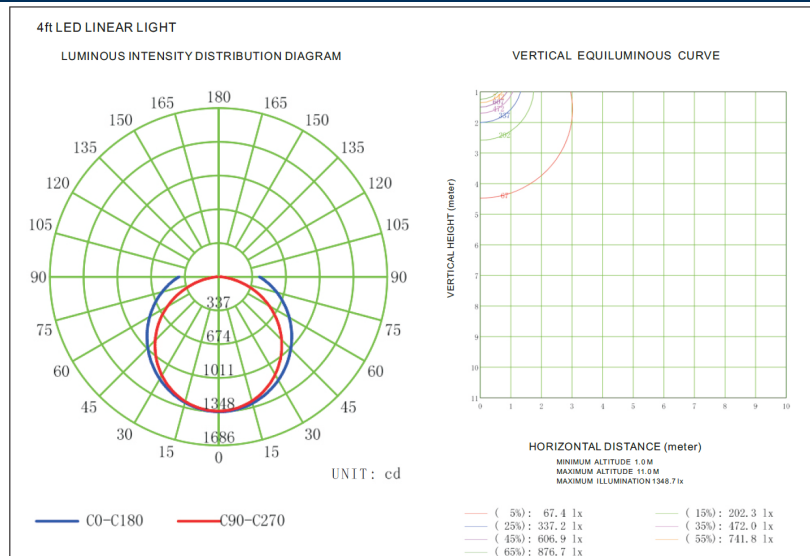
### DIMENSION



### PACKAGE INFO

Model. No.	HY-2FT-LS100-20W-3CCT	HY-4FT-LS100-3W3CCT	HY-8FT-LS100-3W3CCT HY-8FT-LS100-H-3W3CCT
Size	2FT	4FT	8FT
QTY/PACK	4PCS/PACK		
Package Size	640X190X195mm 25.2"X7.48"X7.68"	1285X190X195mm 50.59"X7.48"X7.68"	2505X190X195mm 98.62"X7.48"X7.68"
Package Weight	4.5kg/21.83 lbs	9.9kg/21.83 lbs	18.6kg/41.01 lbs
Package CBM	0.023712	0.047609	0.09281
40GP Capacity	~9780PCS	~4870PCS	~2490PCS
40HQ Capacity	~11470PCS	~5710PCS	~2930PCS
45HQ Capacity	~13150PCS	~6550PCS	~3360PCS

### PHOTOMETRIC REPORT

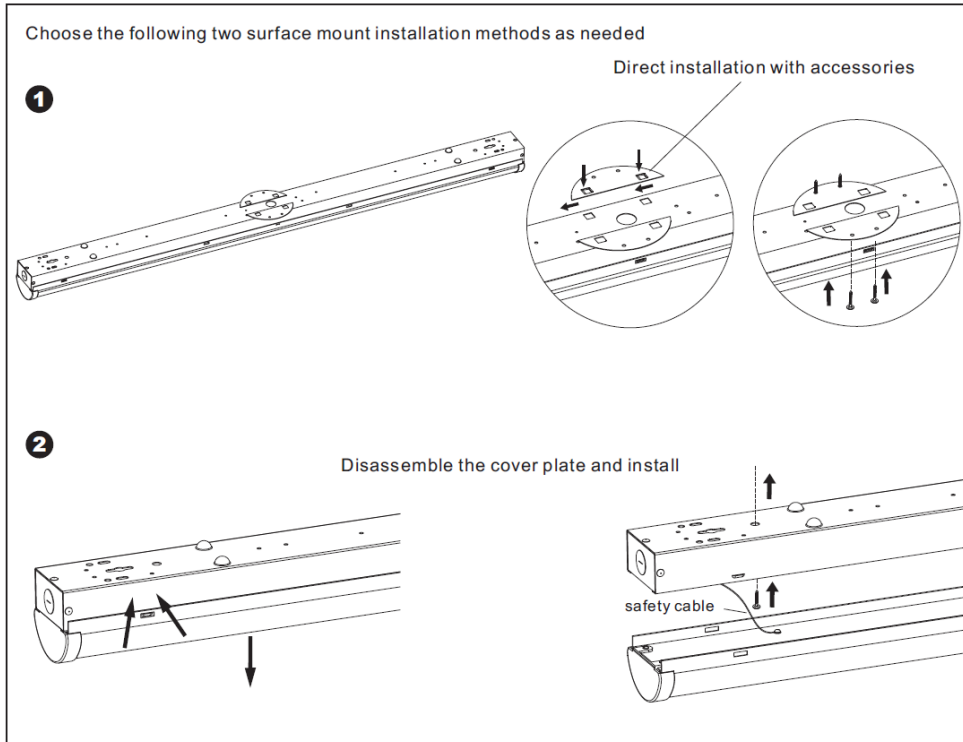




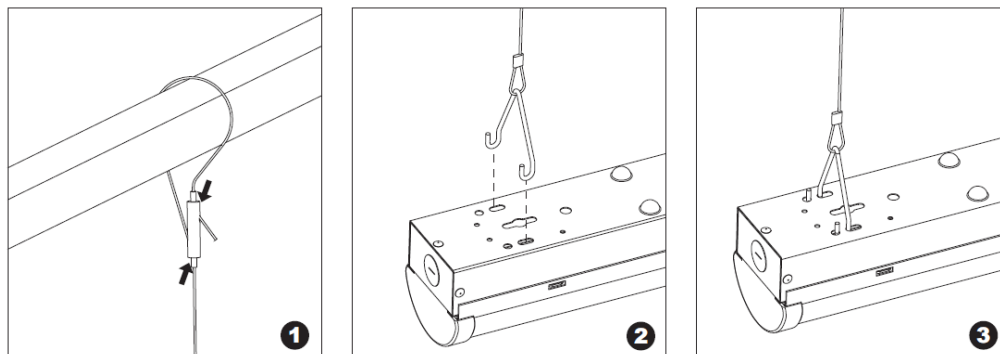
## LED STRIP LIGHT AND STAIRWELL FIXTURE

### INSTALLATION

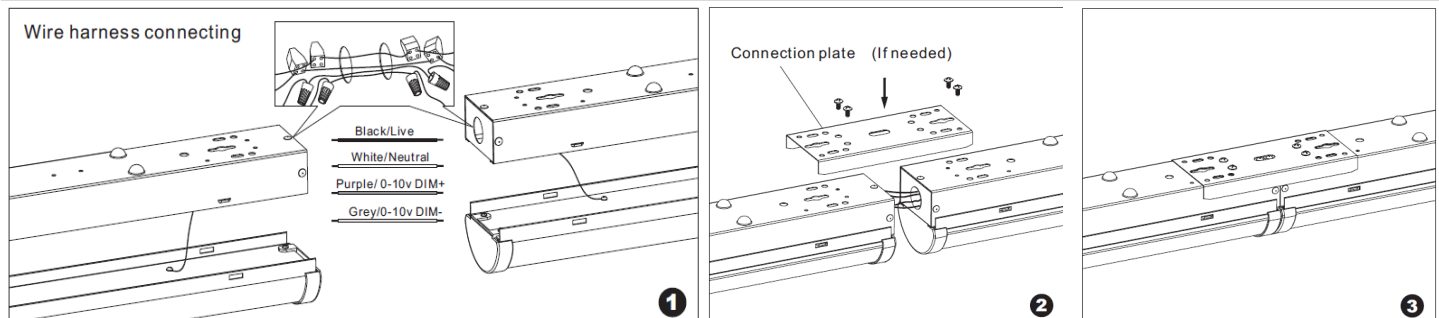
#### Surface Mount Installation



#### Suspension Installation



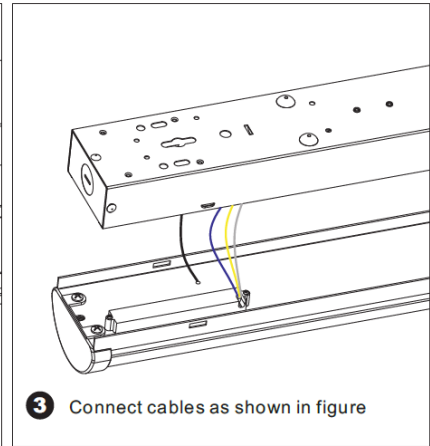
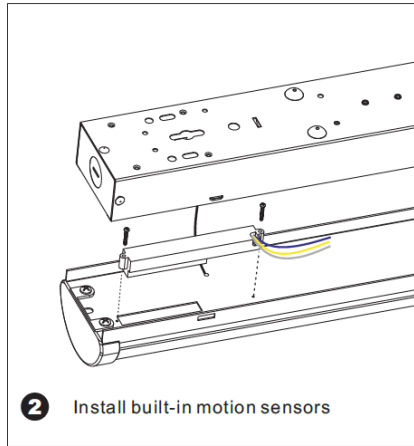
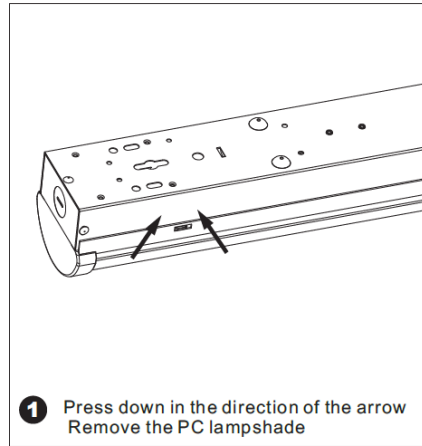
#### Connection Installation



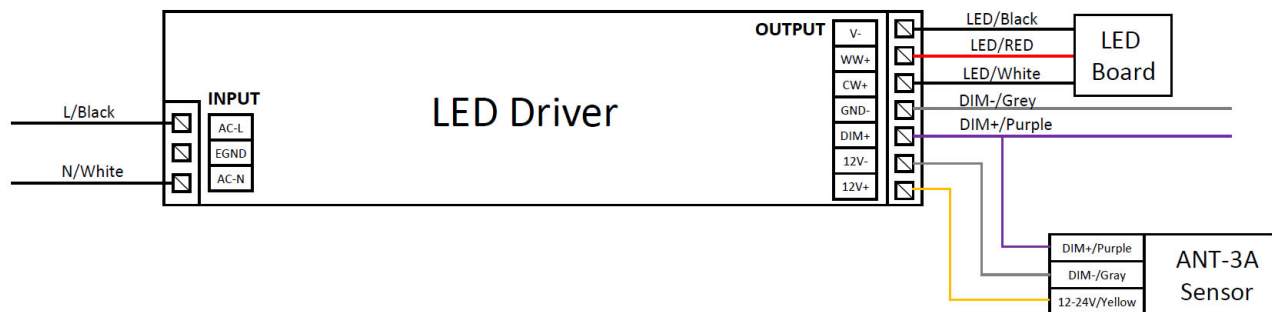


## LED STRIP LIGHT AND STAIRWELL FIXTURE

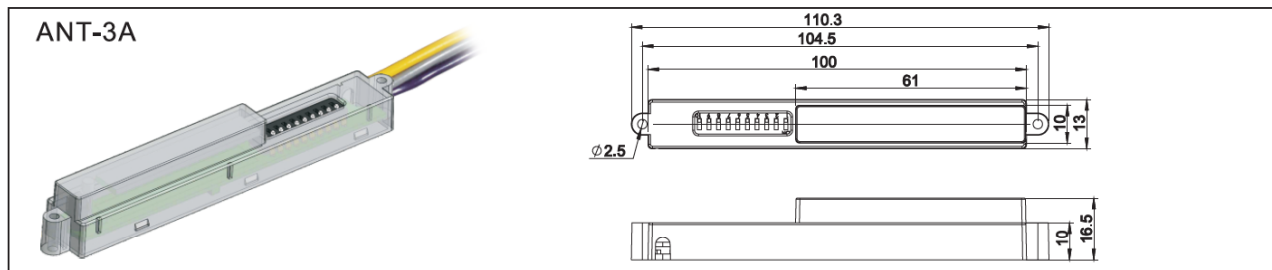
### Build-In Motion Sensor Information



### WIRING DIAGRAMS



### BUILT-IN MOTION SENSOR INFORMATION



### ⚠ WARNING

NOTE: Warm up time is 15seconds. After the sensor connects input power first time, the light will keep on 15 seconds, then go to dimming to work normally.

NOTE: Factory Default Setting: 100% sensitivity, Hold on time: 10seconds, Daylight sensor is 30lux, Dimming level:30%, Dimming time: 60minutes.

NOTE: Any setting changed by DIP Switch or remote control, the led light that sensor connect will on/off as confirm.

### SPECIFICATIONS

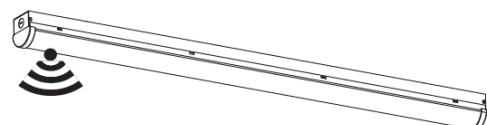
Power supply	12V~24V DC, >50mA
HF System	5.8GHz±75MHz
Dim control output	0-10V, max. 25mA sinking current
Detection radius/angle	Max 17ft.(5.2m)/360°
Mounting height	Max 13ft(4m)
Remote range	50ft. (15m) indoor, no backlight
Humidity	Max. 95% RH
Temperature	-40°F ~ 158°F (-40°C ~ 70°C)

### PARAMETER SETTING BY DIP SWITCH

Consider the picture: 1, 2 set sensitivity; 3, 4 set hold time; 5, 6 set the lux; 7, 8 stand-by light level 9, 10 set stand-by time;



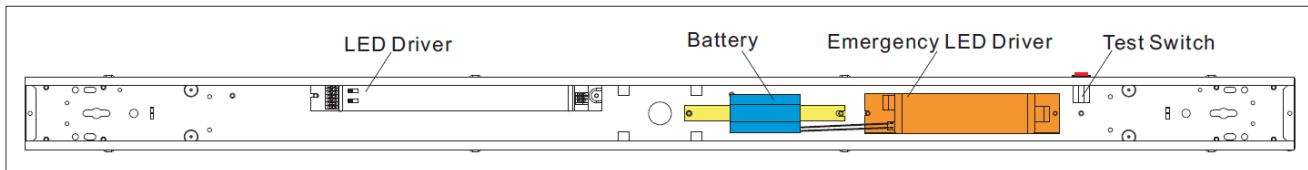
For detailed adjustment methods, please refer to the ANT-3A instruction manual



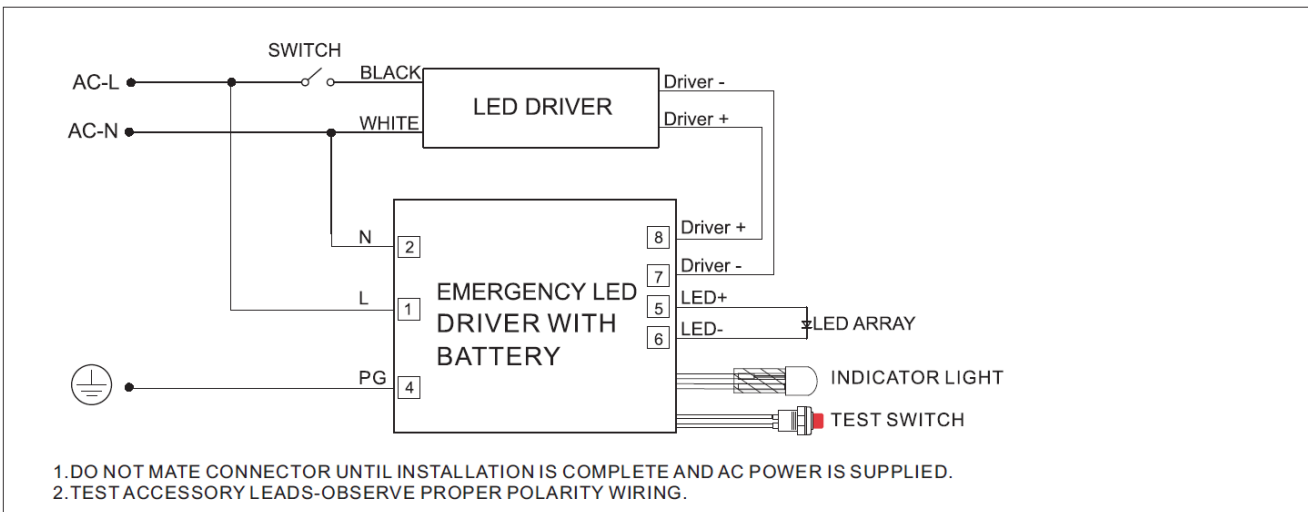
## LED STRIP LIGHT AND STAIRWELL FIXTURE

### Build-In Emergency Information

#### EMERGENCY LED DRIVER INSTALLATION POSITION



#### WIRING DIAGRAM



#### EMERGENCY LED DRIVER INFORMATION

##### Specifications:



##### Specifications:

<b>Universal Input Voltage</b>	100 277Vac 50 60Hz
<b>AC Input Current</b>	100mA max.
<b>AC Input Power Rating</b>	7.0W max.
<b>Output Current and Voltage</b>	160-320mA 25 48Vdc
<b>Output Power</b>	8W
<b>Emergency Time</b>	≥1.5H
<b>Full Warranty</b>	5 Years
<b>Test Switch Indicator Light</b>	Illuminated Test Switch, indicator Light
<b>Battery</b>	Li-ion battery-7.4V/2500mAH
<b>Battery Charging Current</b>	250mA
<b>Charging Time</b>	≥24Hours
<b>Temperature Rating ( Ambient)</b>	Li-ion 0°C to +40°C (32°F to 104°F)

**AC Operation:**  
 AC power is present, The LED load from the LED driver is normal power supply, AC LED driver output current can not exceed 150W or 4A, the emergency driver is charging in a standby mode, The green LED light on to indicate that it is charging.

**Emergency operation:**  
 When the AC power goes out, The emergency driver detects the AC power outage and automatically switch to the working emergency mode. The green LED off. When the AC power is restored, the emergency driver backs to AC power working and starts re-charging, the green LED light on.

##### Dimensions:

Case-7.4"x1.5"x1.14"(mounting center-7.0")  
 Battery 6.1"x1.57"(mounting center-5.66")

