



LED Vapor Tight - Watt and CCT Selectable



Application: Parking garages, shopping centers, car washes, and many other commercial or industrial applications



FEATURE

- Wet location rated with IP66 ingress protection rating. Suitable for damp location
- Watt and CCT adjustable to fit for different locations
- Long life hours with a durable housing
- 1-10V dimmable: Light can be dimmed to ideal brightness levels to save energy and get the light levels correct for your area.
- With option of build-in motion sensor or emergency backup driver

ACCESSORIES



- Plastic Anchors
- Screw for anchor
- Strain Relief Connectors
- Mounting brackets (2 for 2FT/4FT and 3 for 8FT)

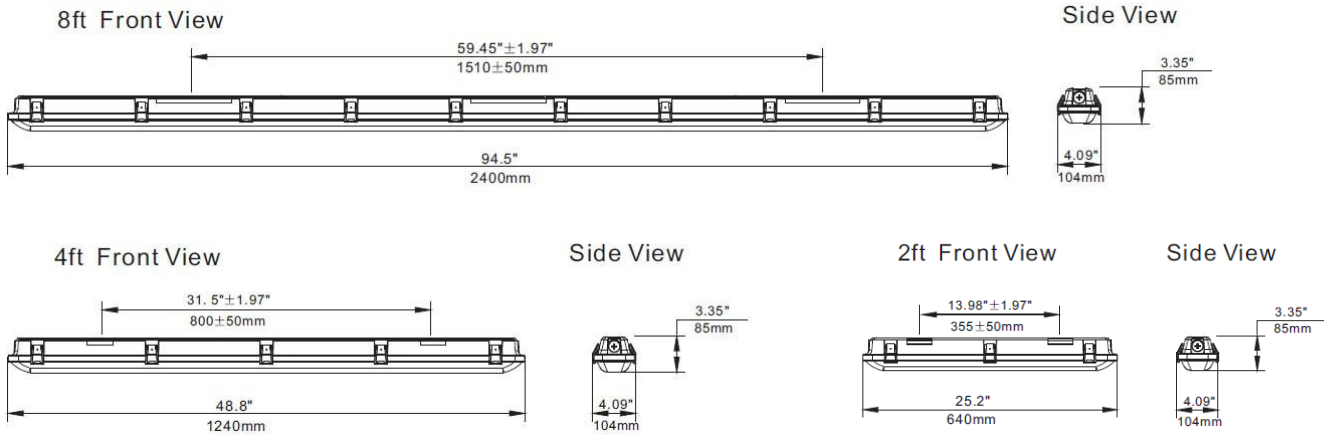
ORDERING GUIDE

Model	HY-2FT-VT-H-3W3CCT (XX)	HY-4FT-VT-H-3W3CCT (XX)	HY-8FT-VT-H-3W3CCT (XX)
Power	20W	20/30/40W Selectable	40/60/80W Selectable
Size	2FT	4FT	8FT
Lumens	2600LM	5200 lm @ 40W	10400 lm @ 80W
Cover	Clear Ribbed		
Input Voltage	120-277 VAC		
Dimming	Triac Dimming (10%-100%)		
Protecting Rating	IP66		
Power Factor	0.9+		
Beam Angle	120°		
CCT	3000K/4000K/5000K Selectable		
CRI	80+		
Surge protection DM/CM	1.25 kV / 1.25 kV		
Working Life	Lumen Maintenance over 70% @50,000+ hours		
Oper. Temperature	- 13°F ~ +113°F / -25°C ~ +45°C		
Housing	Polycarbonate housing (PC) + Stainless Steel Clips		
Option (XX)	XX can be: MS: Microwave Motion Sensor EM: Emergency Backup Driver		



LED Vapor Tight - Watt and CCT Selectable

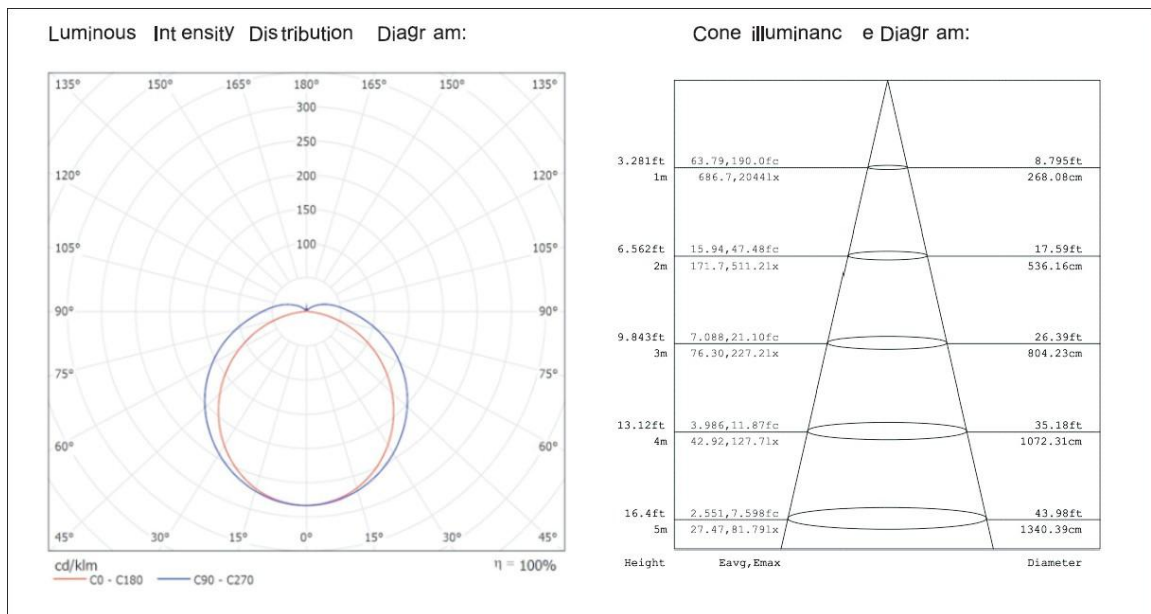
DIMENSION



PACKAGE INFO

Model No.	HY-2FT-VT-H-3W3CCT (XX)	HY-4FT-VT-H-3W3CCT (XX)	HY-8FT-VT-H-3W3CCT (XX)
Size	2FT	4FT	8FT
QTY/PACK	6PCS/PACK		4PCS/Pack
Package Size	690X245X280mm 28"X9"X11"	1290X245X280mm 50"X9"X11"	2450X245X200mm 97"X9"X8"
Package Weight	9 kg/19.84 lbs	15.1 kg/33.29 lbs	24 kg/52.91 lbs
Package CBM	0.047334	0.088494	0.12005
40GP Capacity	~7350PCS	~3930PCS	~1930PCS
40HQ Capacity	~8610PCS	~4610PCS	~2260PCS
45HQ Capacity	~9880PCS	~5280PCS	~2590PCS

PHOTOMETRIC REPORT



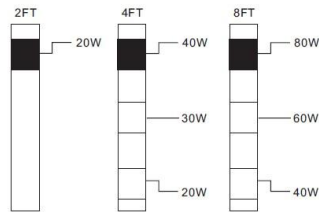


LED Vapor Tight - Watt and CCT Selectable

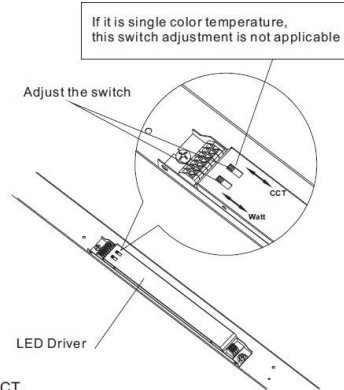
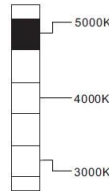
Watt and CCT Selectable

Surface Mount Installation

Watt



CCT



Adjusting the switch, and making the switch fix on the needed Watt and CCT.

Note:

Due to different LED driver models,

The specific functions of the switch are subject to the actual switch label of the LED driver supply

Installation

<p>1 Take down the quick end cap anticlockwise.</p>	<p>2 Fasten the waterproof connector clockwise.</p>
<p>Cable Model: C(UL) SJT 5/C 18AWG(0.824mm²) 105°C 300V FT1</p> <p>3 Insert the cable through waterproof connector and wire it into terminal block. Make sure L, N, grounding and dimming wire are wired to correct holes.</p>	<p>4 Connect the male plug extended from back^k of reflector to the female plug from the driver.</p>
<p>5 Close the lamp diffuser, which was integrated with reflector, and lamp base, then fasten the clips which were offered in accessories bag.</p>	<p>• Connection mode</p> <p>Dimming function</p>

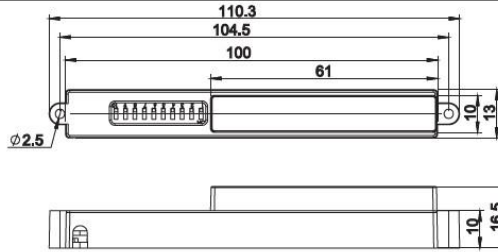
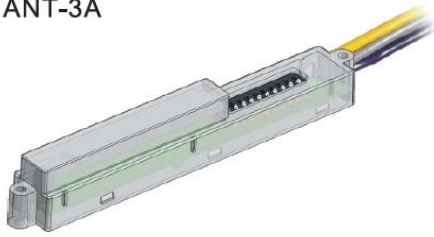


LED Vapor Tight - Watt and CCT Selectable

Build-In Motion Sensor Information

BUILT-IN MOTION SENSOR INFORMATION

ANT-3A



⚠ WARNING

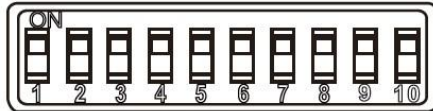
NOTE: Warm up time is 15seconds. After the sensor connects input power first time, the light will keep on 15 seconds, then go to dimming to work normally.
 NOTE: Factory Default Setting: 100% sensitivity, Hold on time: 10seconds, Daylight sensor is 30lux, Dimming level:30%, Dimming time: 60minutes.
 NOTE: Any setting changed by DIP Switch or remote control, the led light that sensor connect will on/off as confirm.

SPECIFICATIONS

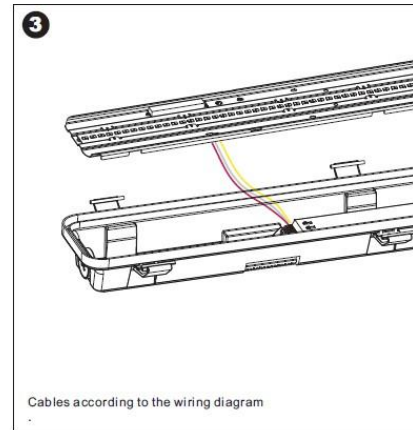
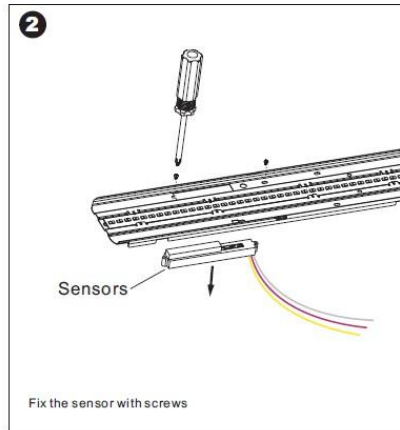
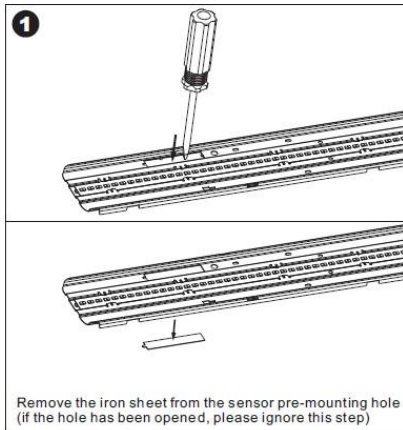
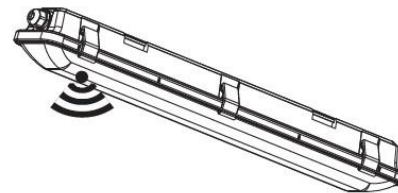
Power supply	12V-24V DC, >50mA
HF System	5.8GHz±75MHz
Dim control output	0-10V, max. 25mA sinking current
Detection radius/angle	Max 17ft.(5.2m)/360°
Mounting height	Max 13ft(4m)
Remote range	50ft. (15m) indoor, no backlight
Humidity	Max. 95% RH
Temperature	-40°F ~ 158°F (-40°C ~ 70°C)

PARAMETER SETTING BY DIP SWITCH

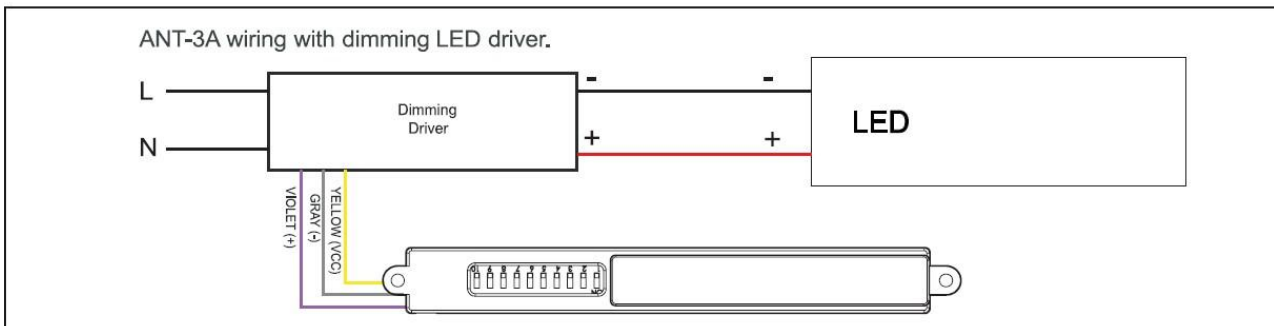
Consider the picture: 1, 2 set sensitivity; 3, 4 set hold time; 5, 6 set the lux;
 7, 8 stand-by light level 9, 10 set stand-by time;



For detailed adjustment methods, please refer to the ANT-3A instruction manual



WIRING DIAGRAMS





LED Vapor Tight - Watt and CCT Selectable

Build-In Emergency Information

EMERGENCY LED DRIVER INFORMATION

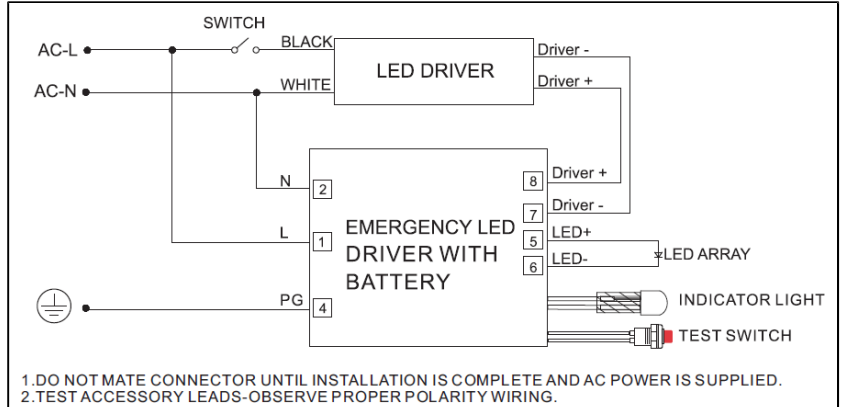
Specifications:



Specifications:

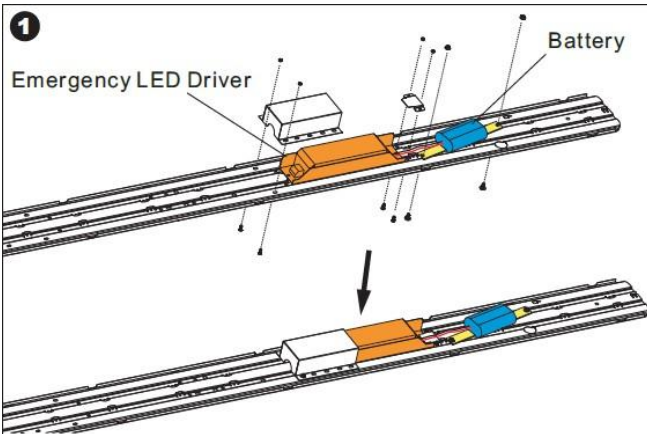
Universal Input Voltage	100-277Vac 50/60Hz
AC Input Current	100mA max.
AC Input Power Rating	7.0W max.
Output Current and Voltage	160-320mA 25-48Vdc
Output Power	8W
Emergency Time	≥1.5H
Full Warranty	5 Years
Test Switch Indicator Light	Illuminated Test Switch, indicator Light
Battery	Li-ion battery-7.4V/2500mAH
Battery Charging Current	250mA
Charging Time	≥24Hours
Temperature Rating (Ambient)	Li-ion 0°C to +40°C (32°F to 104°F)

WIRING DIAGRAM

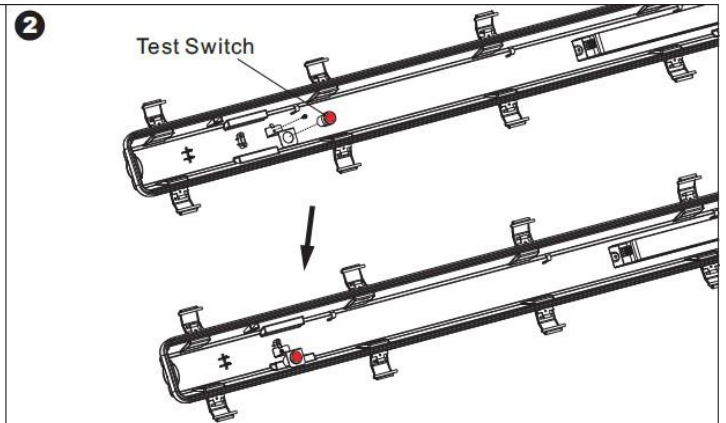


1. DO NOT MATE CONNECTOR UNTIL INSTALLATION IS COMPLETE AND AC POWER IS SUPPLIED.
 2. TEST ACCESSORY LEADS-OBSERVE PROPER POLARITY WIRING.

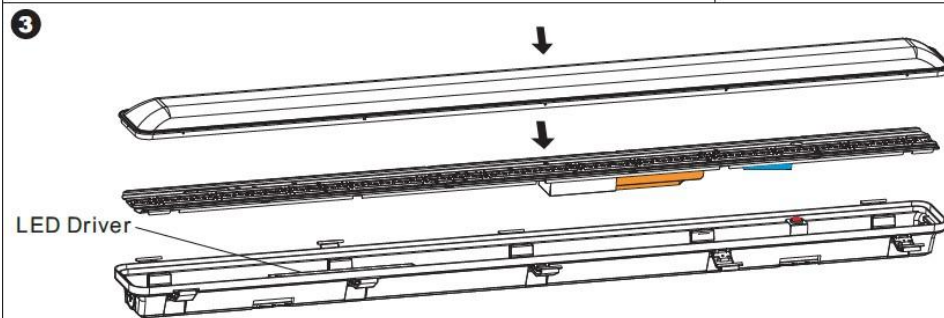
INSTALLATION



Emergency led driver and Battery installation position



Test Switch installation position



Assemble according to this drawing and wire according to the wiring diagram to complete the installation