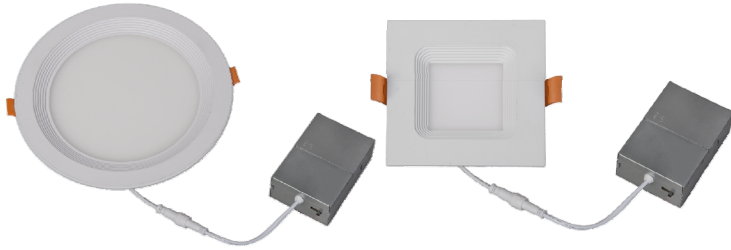




LED Baffle Recessed Downlight - BFDL Series



Application: Living room, bedroom, office, lobbies, conference room and more residential and commercial applications

Feature

- Aluminum die cast outer frame, durable powder coat paint to prevent rust
- CCT Tunable: 2700K, 3000K, 3500K, 4000K, or 5000K using the switch on driver and CRI>90 to render colors accurately
- Type IC rated for Insulated ceiling rated and airtight. No housing required.
- Edge-lit LED technology uses light guided plate to distribute light and polycarbonate lens provides even light distribution

Description

This baffle style slim downlight with tunable white technology provides high-quality light output and efficiency featuring a switch for easy color temperature adjustment to fit different environment needs. IC rated driver with convenience to eliminate the need for recessed housings. The ultra slim downlight is an ideal choice for easy remodel or new construction installation. ETL and Energy Star Listed and 5-year limited warranty

Specifications

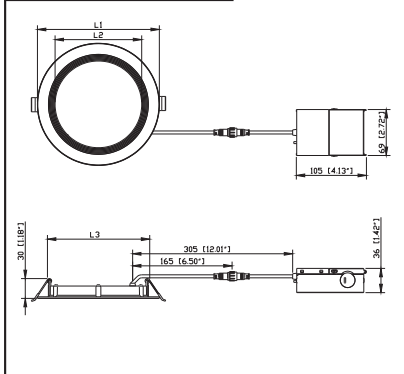
Model	HY-BFDL-R3-6W-5CCT	HY-BFDL-R4-9W-5CCT	HY-BFDL-R6-12W-5CCT	HY-BFDL-R8-18W-5CCT	HY-BFDL-S3-6W-5CCT	HY-BFDL-S4-9W-5CCT	HY-BFDL-S6-12W-5CCT	HY-BFDL-S8-18W-5CCT
Power	6W	9W	12W	18W	6W	9W	12W	18W
Shape	Baffle Trims - Round				Baffle Trims - Square			
Size	3"	4"	6"	8"	3"	4"	6"	8"
Lumens	440LM	720LM	880LM	1420LM	430LM	710LM	950LM	1400LM
Input Voltage	120 V			120-277V	120 V			120-277V
Dimming	Triac Dimming			0-10V	Triac Dimming			0-10V
Can Rating	Type IC							
Protecting Rating	IP20 (For indoor use ONLY/ Wet Location Rated)							
Power Factor	0.9+							
Beam Angle	110°							
CCT	2700K/3000K/3500K/4000K/5000K							
CRI	90+							
Working Life	Lumen Maintenance over 70% @50,000+ hours							
Oper. Temperature	-4°F to 104°F (-20°C to 40°C)							
Qty/Package	24PCS/Pack	24PCS/Pack	24PCS/Pack	12PCS/Pack	24PCS/Pack	24PCS/Pack	24PCS/Pack	12PCS/Pack
Package Dim	500X215X220mm 19.7"X8.5"X8.7"	500X290X295mm 19.7"X11.4"X11.6"	490X400X405mm 19.3"X15.8"X15.9"	465X435X252mm 18.3"X17.1"X9.9"	500X215X220mm 19.7"X8.5"X8.7"	500X280X285mm 19.7"X11.0"X11.2"	480X377X382mm 18.9"X14.8"X15.1"	517X435X242mm 20.4"X17.1"X9.5"
Package Weight	8.1 kg/17.86 lbs	9.7 kg/21.38 lbs	13.3 kg/29.32 lbs	8.8 kg/19.4 lbs	8.6 kg/17.86 lbs	10.3 kg/22.71 lbs	14 kg/30.86 lbs	10.05kg/22.11 lbs



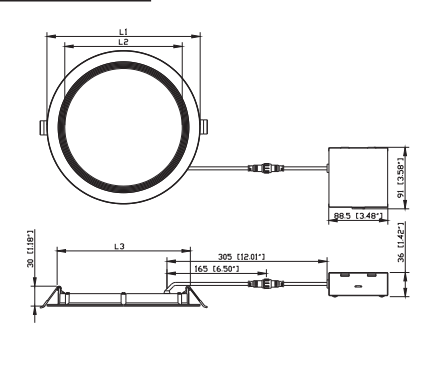
LED Baffle Recessed Downlight - BFDL Series

DIMENSION

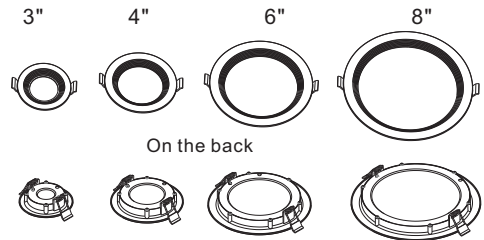
3"/4"/6" Round



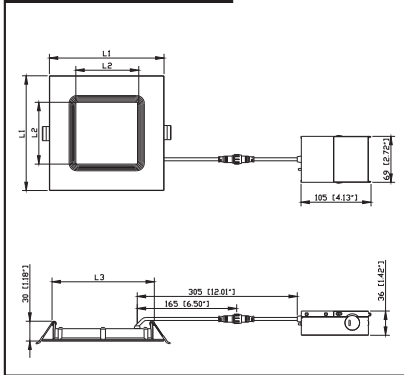
8" Round



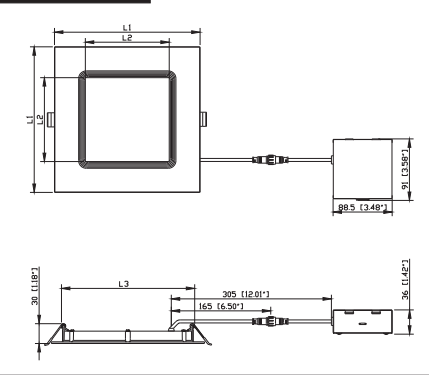
Model No.	Side	L1	L2	L3
HY-BFDL-R3-6W-5CCT		Ø 95mm (Ø 3.74")	Ø 50mm (Ø 1.97")	Ø 77mm (Ø 3.03")
HY-BFDL-R4-9W-5CCT		Ø 128mm (Ø 5.04")	Ø 81mm (Ø 3.19")	Ø 104mm (Ø 4.09")
HY-BFDL-R6-12W-5CCT		Ø 182mm (Ø 7.17")	Ø 129mm (Ø 5.08")	Ø 153mm (Ø 6.02")
HY-BFDL-R8-18W-5CCT		Ø 228.5mm (Ø 8.99")	Ø 175mm (Ø 6.89")	Ø 199mm (Ø 7.83")



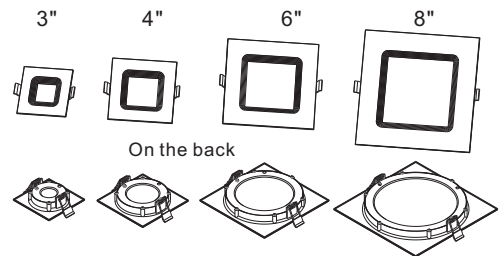
3"/4"/6" Square



8" Square

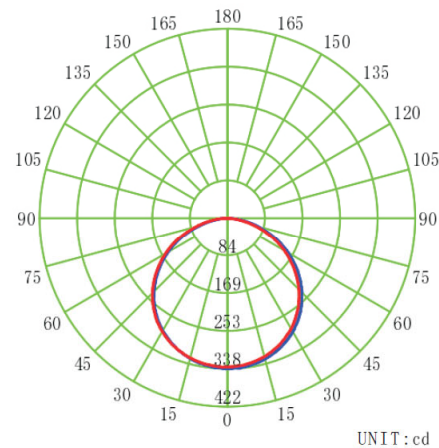


Model No.	Side	L1	L2	L3
HY-BFDL-S3-6W-5CCT		94.5mm (3.72")	37mm (1.46")	Ø 77mm (Ø 3.03")
HY-BFDL-S4-9W-5CCT		121mm (4.76")	57.5mm (2.26")	Ø 104mm (Ø 4.09")
HY-BFDL-S6-12W-5CCT		171mm (6.73")	92mm (3.62")	Ø 153mm (Ø 6.02")
HY-BFDL-S8-18W-5CCT		217mm (8.54")	125mm (4.92")	Ø 199mm (Ø 7.83")



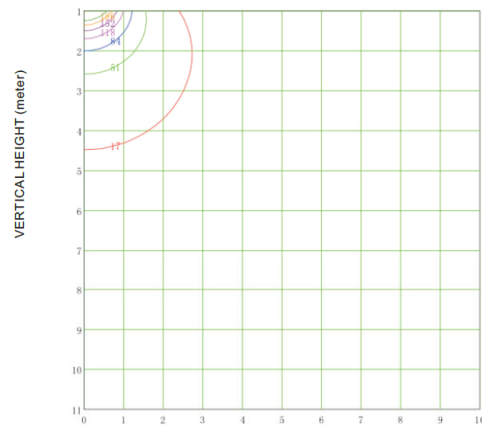
PHOTOMETRIC REPORT

12W 6" Round LED Downlight
LUMINOUS INTENSITY DISTRIBUTION DIAGRAM



— C0-C180 — C90-C270

VERTICAL EQUILUMINOUS CURVE



HORIZONTAL DISTANCE (meter)

MINIMUM ALTITUDE 1.0 M
MAXIMUM ALTITUDE 11.0 M
MAXIMUM ILLUMINATION 338lx

- (5%) : 16.9 l_x — (15%) : 50.7 l_x
- (25%) : 84.8 l_x — (35%) : 118.2 l_x
- (45%) : 152 l_x — (55%) : 185.8 l_x
- (65%) : 219.6 l_x