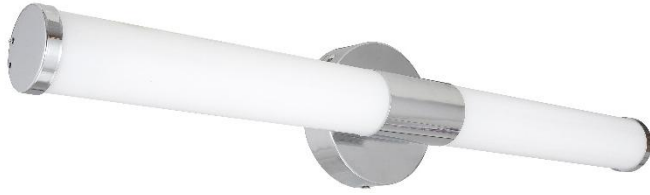




LED Vanity Linear Light - VL02 Series



Application: Ideal for bathrooms and a great alternative to ceiling or surface-mounted lights.

Description

This energy-efficient fixture delivers uniform and stylish illumination with adjustable color temperatures, making it perfect for various spaces. Its wide beam angle ensures balanced lighting for enhanced visual comfort. Featuring an IP44 rating, it combines modern design with durability, ensuring reliable performance in damp environments.

Feature

- Powered by DC25W with an input voltage of 120V and a power factor greater than 0.9 for optimal energy efficiency.
- Selectable 3 color temperatures (3000K, 4000K, 5000K) with a 120° beam angle, providing versatile lighting to suit different environments.
- Rated for damp locations, ensuring reliability even in moisture-prone areas.
- Wide operating temperature range of -20°C to 40°C for use in diverse climates.
- Features a durable Brushed Nickle housing with opal acrylic, delivering a modern and clean aesthetic.
- Fully dimmable from 5% to 100%, offering flexible lighting control.
- Backed by a 5-year limited warranty, ensuring long-lasting performance.
- ETL listed for safety and quality assurance.

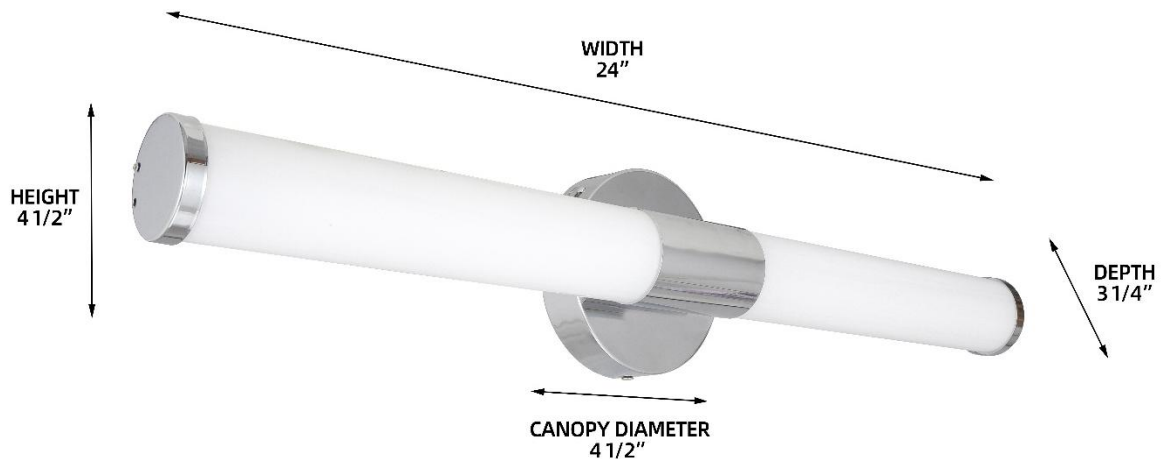
Specifications

Model	HYA-VL02-24IN25W-CCT-NK
Power	25W
Size	24"
Lumens	1900LM
Max input current	0.6A
Input Voltage	AC120 V
Housing	Brushed Nickle & Opal Acrylic
Dimming	5%-100% Dimmable
Protecting Rating	IP44
Power Factor	0.9+
Beam Angle	120°
CCT	3000K/4000K/5000K
CRI	80+
Life Span	Lumen Maintenance over 70% @50,000+ hours
Warranty	5 Years Limited
Oper. Temperature	-4°F to 104°F (-20°C to 40°C)
Qty/Package	6
Package Dim	26.38 in x 12.80 in x 16.54 in
Package Weight	26 LB

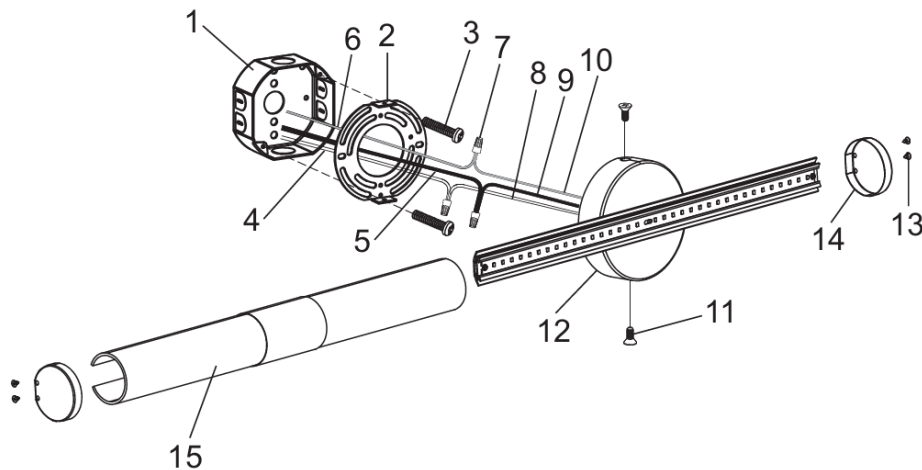


LED Vanity Linear Light - VL02 Series

Dimensions



Installation Guide



1. OUTLET BOX (EXCLUDED)
2. MOUNTING BRACKET
3. MOUNTING SCREW
4. WHITE SUPPLY WIRE
5. BLACK SUPPLY WIRE
6. HOUSE GROUND WIRE
7. WIRE CONNECTOR
8. WHITE FIXTURE WIRE

9. BLACK FIXTURE WIRE
10. FIXTURE GROUND WIRE
11. SCREW
12. FIXTURE BASE
13. END CAP SCREW
14. END CAP
15. SHADE