



LED UFO High Bay – UFO5 Series



Application: Warehouses, Distribution Centers, Retailers, Field Houses, Gymnasiums, Aisles and more commercial and industries applications.



Description

- Innovative fin design with convective holes and grooves in each fin, improving heat dissipation efficiency.
- Wide input voltage range: AC120-277V, compatible with 0-10V dimming. IP65 rated, suitable for wet locations.
- 3CCT selectable: 3500K, 4000K, and 5000K; efficiently delivers up to 150 lm/W.
- Advanced light distribution technology featuring high-reflectivity reflectors and lenses with a transmittance rate of over 90%.
- Lightweight and compact design, reducing shipping costs by approximately 50%.

Features



Specification

Model	HYA-UFO5-150W-H-3WCCT	HYA-UFO5-240W-H-3WCCT	HYA-UFO5-300W-H-3WCCT
Wattage	100W/120W/150W	150W/200W/240W	260W-280W-300W
Lumens	15000LM/18000LM/23652LM	22500LM/30000LM/33867LM	39000LM/42000LM/43920LM
DLC#	S-SD9JBQ	S-C3BTXS	S-530KQ1
Working Voltage	AC120-277V		
CCT	3500-4000-5000K		
Dimmable	0-10V Dimming		
Lamp Bead Model	2835		
Lighting Efficiency	150LM/W		
Beam Angle	90°		
Color Rendering Index	Ra>80		
Operating Temperature	-25°C~+45°C/-13°F~+113°F		
Storage Temperature	-25°C~+70°C/-13°F~+158°F		
Environment Location	Wet Location		
Lifespan	Lumen Maintenance Over 70% @ 50,000 hours		

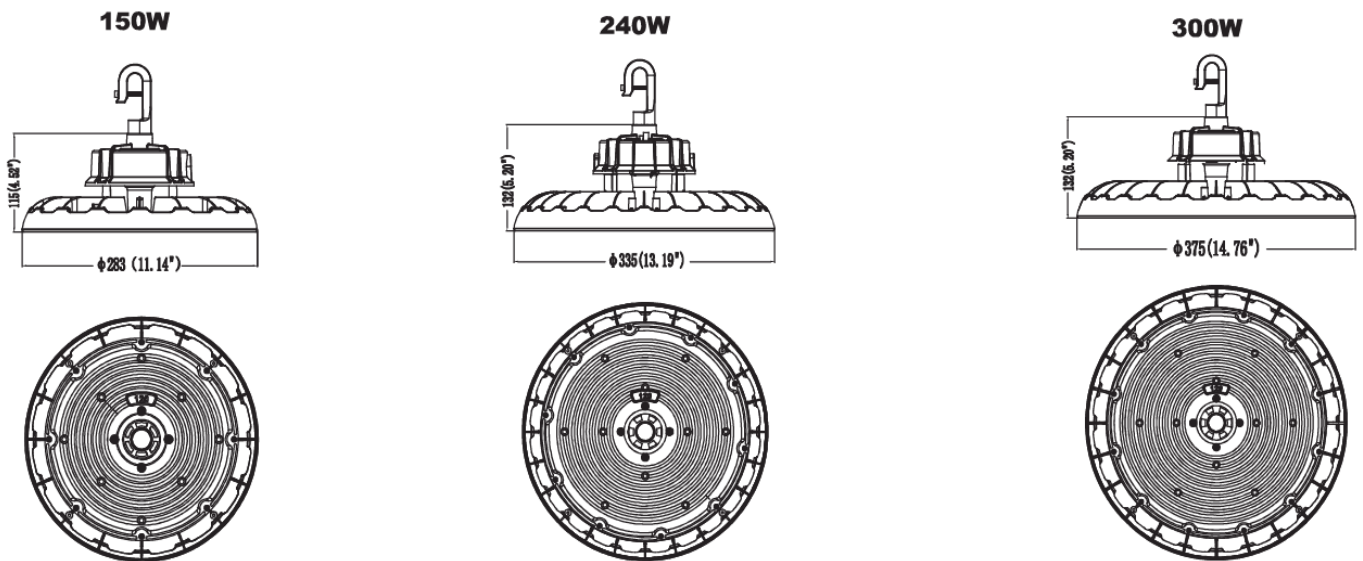


LED UFO High Bay – UFO5 Series

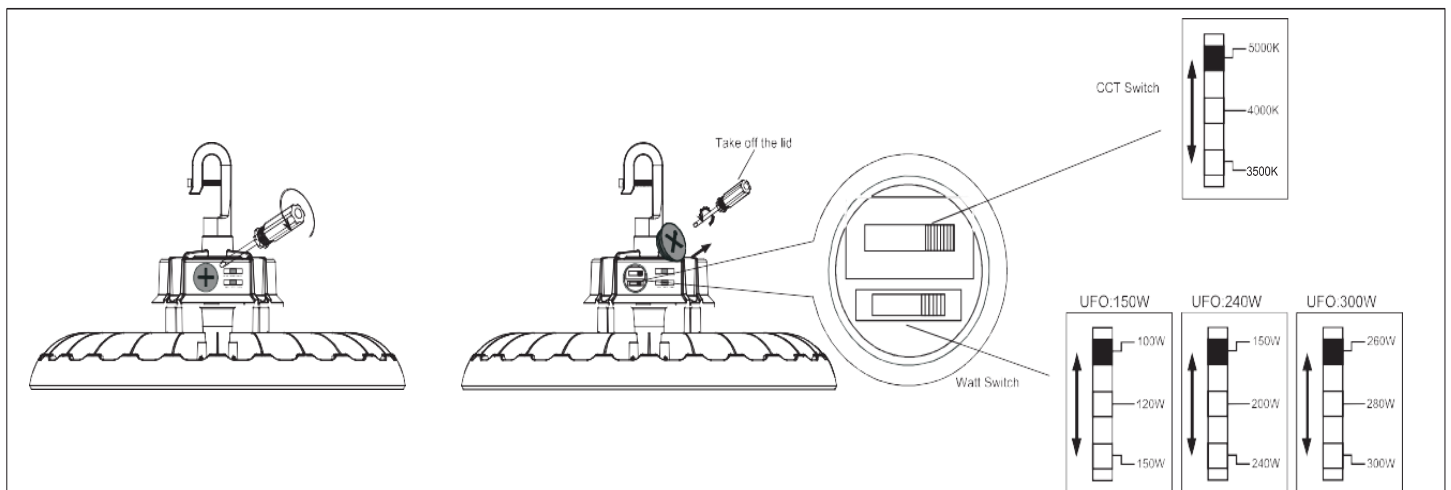
Ordering Guide

Company Code	Product Series	Wattage	H	3W	3CCT	Option
HYA	UFO5	150W 100W/120W/150W Adjustable	H: 120-277V	3 Watt Adjustable	3500-4000- 5000K Selectable	Blank: N/A
		240W 150W/200W/240W Adjustable				MS: Motion Sensor
		300W 260W/280W/300W Adjustable				EM: Emergency Driver

Dimensions



Watt and CCT Adjustable



NOTE: After adjustment, please close the lid and tighten it to prevent dust and water from entering the lamp body !

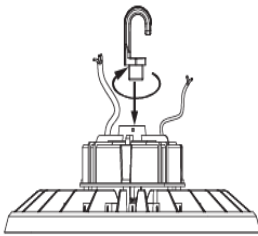


LED UFO High Bay – UFO5 Series

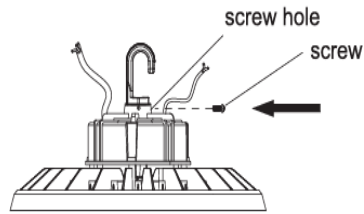
Installation Instruction

Hook Type

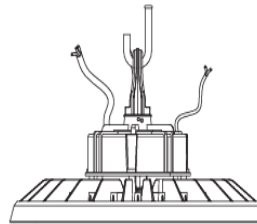
1. Lock the hook.



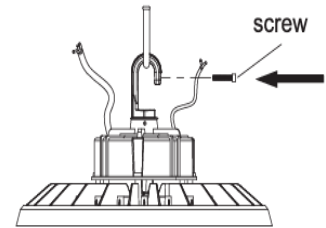
2. Tighten the screw.
(This step can be omitted if there is no screw hole.)



3. Hang up the light



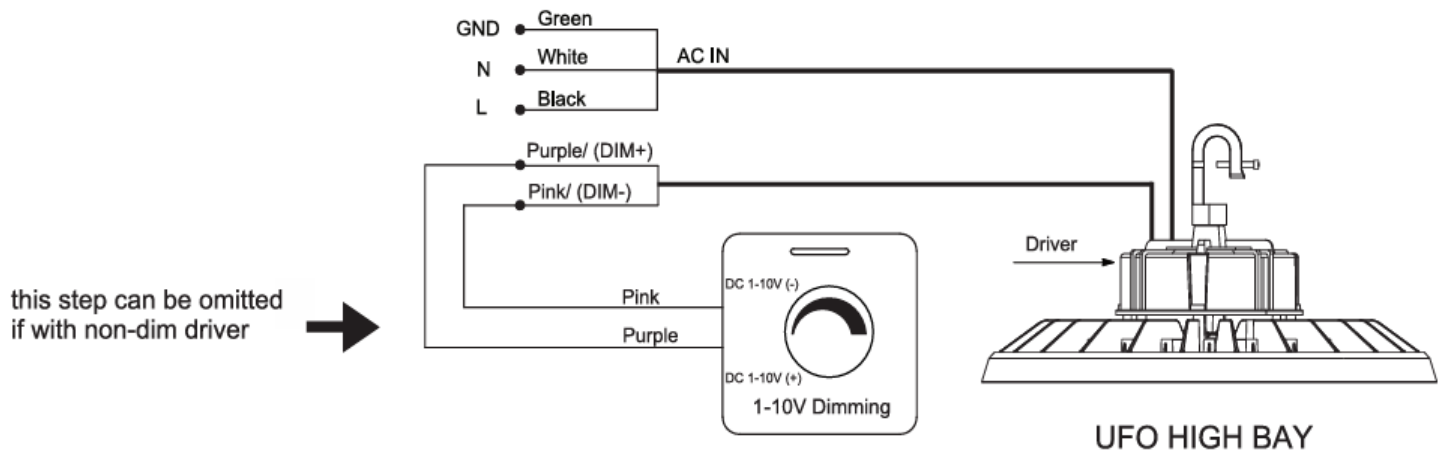
4. Lock the screw



Wiring Connection

Turn off the power, connect AC wire. black wire to L, white wire to N, and green wire to E.
Dimmer connection (With dimmable driver.)

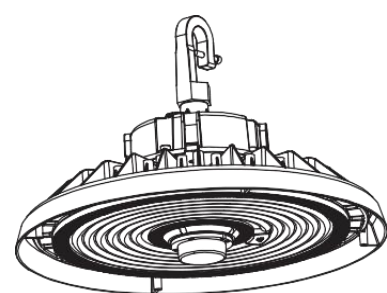
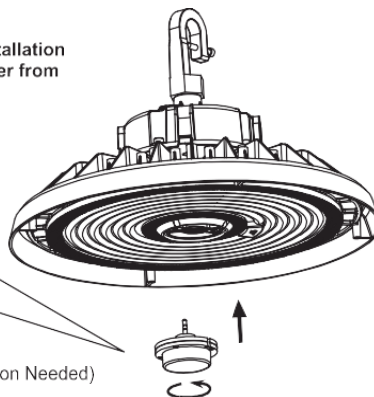
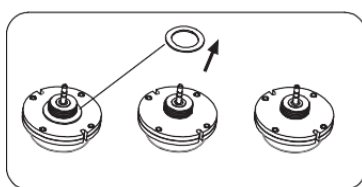
- Compatible with 1-10V dimming.
- Connect wires as below, purple wire is D+, gray wire is D -, cap black wire.



Sensor Installation

NOTE:

- Please remove the sealing ring on the sensor before installation
- The sensor should be tightened to prevent dust and water from entering the lamp body!



Screw-in sensor (Available on Needed)



LED UFO High Bay – UFO5 Series

Package Information

Model	HYA-UFO5-150W-H-3WCCT	HYA-UFO5-240W-H-3WCCT	HYA-UFO5-300W-H-3WCCT
Qty/Pack	1 PCS	1 PCS	1 PCS
Package Size	300X290X125mm 11.8"x11.4"x4.9"	350X340X135mm 13.8"x13.4"x5.3"	390X380X135mm 15.4"x14.9"x5.3"
Package Weight	2.47 kg/5.45 lbs	3.6 kg/7.94 lbs	4.28 kg/ 9.44 lbs
Package CBM	0.010875	0.016065	0.020007

Photometric Report

