



LED LINEAR WRAP - LW139 Series



Application: offices, conference rooms, schools, hospitals, hallways, stairways, basements, workshops, laundry rooms, garages and more.

FEATURES

- Cut your electric bill by up to 80% instantly
- Steel housing and equipped with heat-resistant frosted lens
- Narrow width: suitable for small spaces such as stairways
- 5-year limited warranty
- Color-selectable options to suit different environments
- Can be mounted via chain or surface
- Operating temperature: - 4°F ~+104°F / -20°C ~+40°C
- Suitable for damp locations (IP20 rating, indoor use only)
- Lumen Maintenance: Over 70% @ 50,000+ Hours
- CRI: 80+; PF>0.9
- Beam Angle: 110°
- Optional 90-minute emergency backup driver and motion sensor installation
- DLC premium and ETL certificated

SPECIFICATION

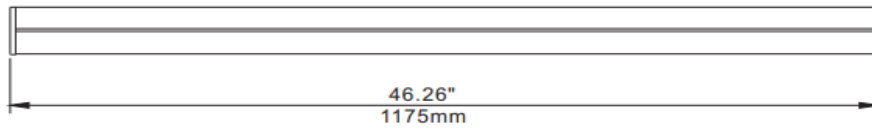
Model	Length	Watt	CCT	Lumens	Dimmable	Voltage
HY-2FT-LW139-18W-3CCT	2FT	18W	3000K/4000K/500K Adjustable	130 LM/W	0-10V	100-277 VAC
HY-4FT-LW139-32W-3CCT	4FT	32W				
With Microwave Motion Sensor						
HY-2FT-LW139-18W-3CCT(MS)	2FT	18W	3000K/4000K/500K Adjustable	130 LM/W	0-10V	100-277 VAC
HY-4FT-LW139-32W-3CCT(MS)	4FT	32W				
With 90 minutes Emergency Driver						
HY-2FT-LW139-18W-3CCT(EM)	2FT	18W	3000K/4000K/500K Adjustable	130 LM/W	0-10V	100-277 VAC
HY-4FT-LW139-32W-3CCT(EM)	4FT	32W				
With Microwave Motion Sensor & 90 minutes Emergency Driver						
HY-2FT-LW139-18W-3CCT(EM/MS)	2FT	18W	3000K/4000K/500K Adjustable	130 LM/W	0-10V	100-277 VAC
HY-4FT-LW139-32W-3CCT(EM/MS)	4FT	32W				



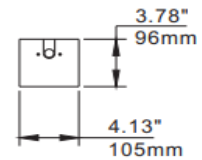
LED LINEAR WRAP - LW139 Series

DIMENSION

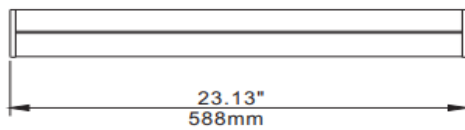
4ft Front View



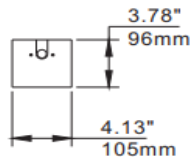
Side View



2ft Front View



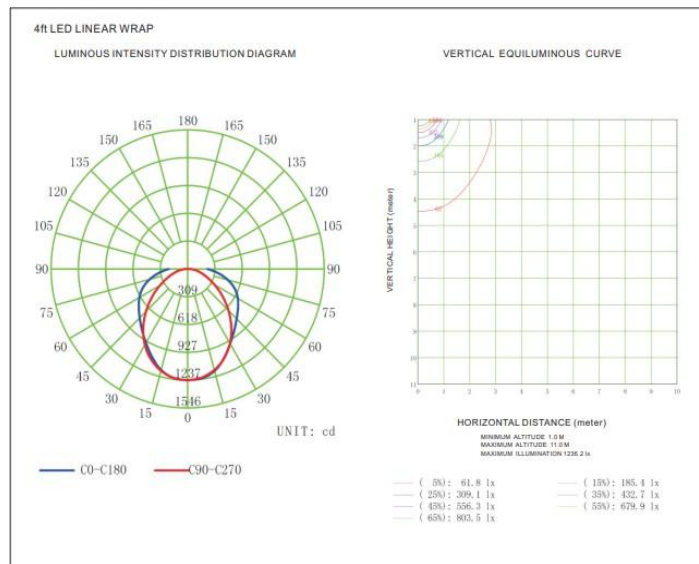
Side View



PACKAGE INFO

Model. No.	HY-2FT-LW139-18W-XXK	HY-4FT-LW139-32W-XXK
Size	2ft	4ft
QTY/PACK	6PCS/PACK	
Package Size	630X345X245mm 24.8"X13.58"X9.65"	1210X405X240mm 47.64"X15.94"X9.45"
Package Weight	10kg/22.05 lbs	13.9kg/30.64 lbs
Package CBM	0.053251	0.117612
40GP Capacity	~6530 PCS	~2950 PCS
40HQ Capacity	~7660 PCS	~3460 PCS
45HQ Capacity	~8780 PCS	~3970 PCS

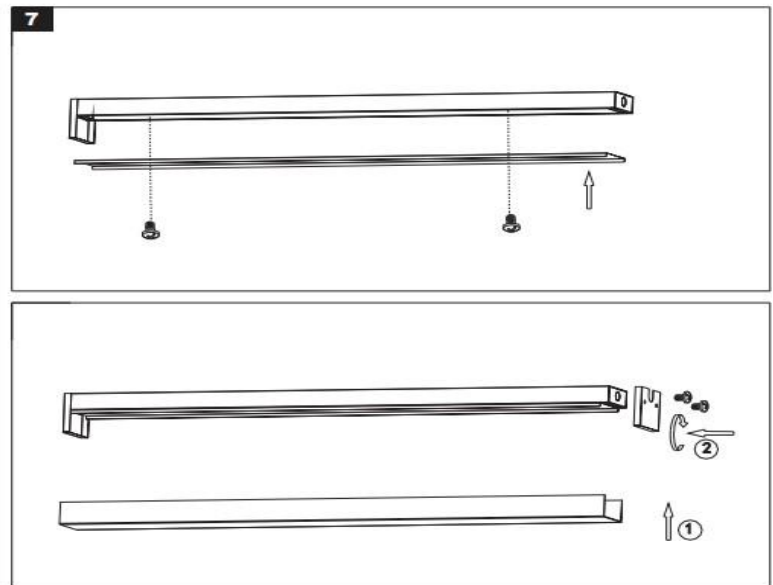
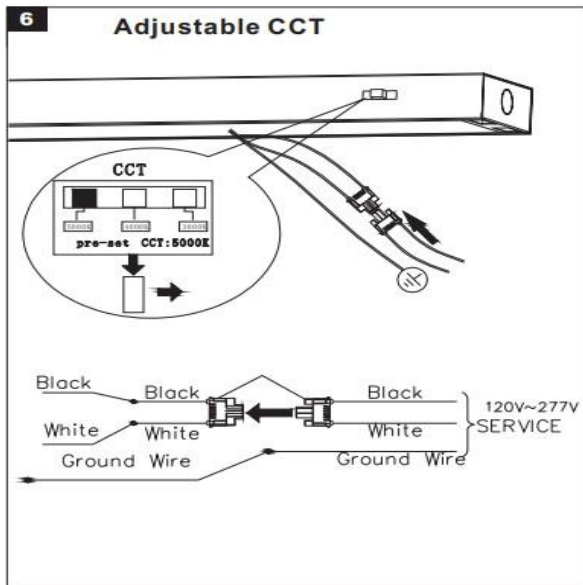
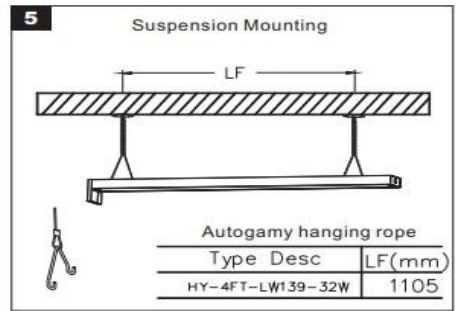
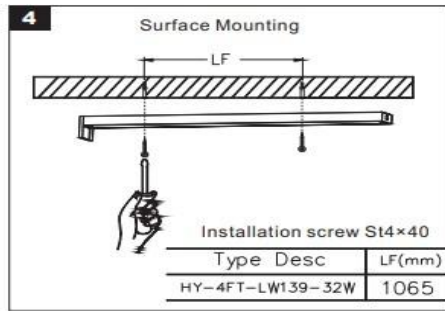
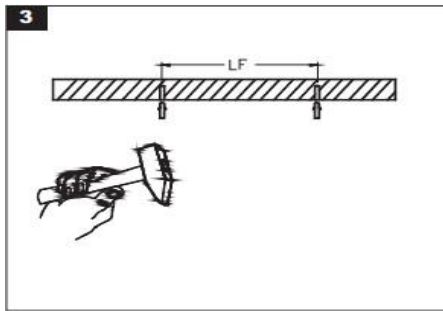
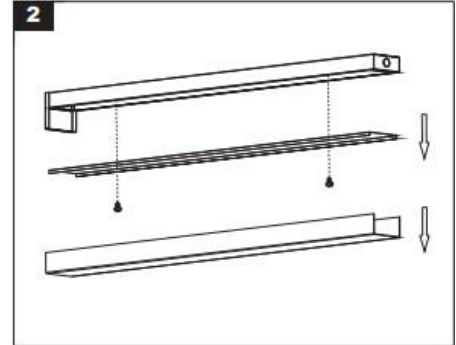
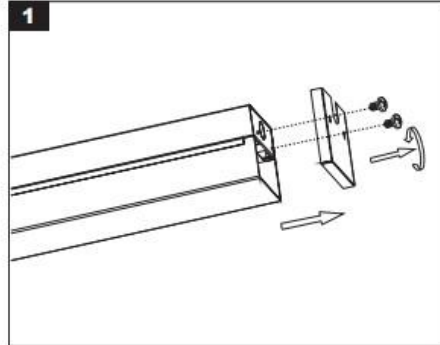
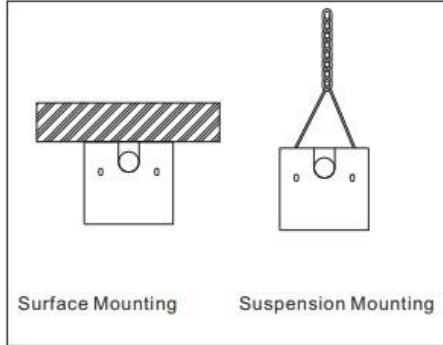
PHOTOMETRIC REPORT





LED LINEAR WRAP - LW139 Series

INSTALLATION



Connection Installation

