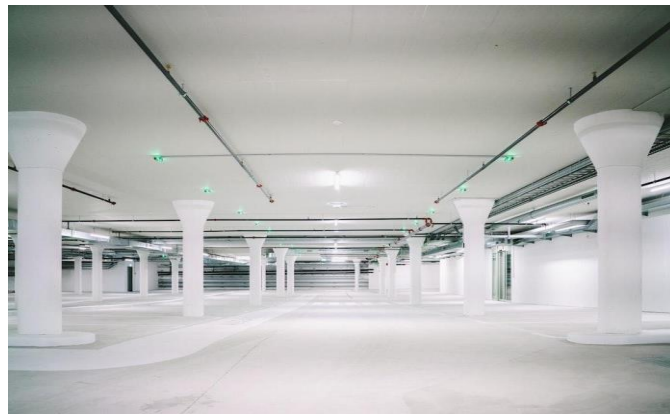




## LED GARAGE CANOPY – GC02 Series



**Application:** parking garages, stairwells, passageways, underpasses, and a wide range of other commercial or industrial applications.

### Feature

- This garage lamp is specially designed for use in parking garages, carports, driveways, underpasses, and similar locations.
- The fin design and advanced grooves between fins enhance heat dissipation.
- It features a professional light distribution technique with high-reflectivity reflectors, a 150° beam angle, and a lens with a light transmission rate of over 90%.
- It is UL-certified, ensuring safety and reliability.

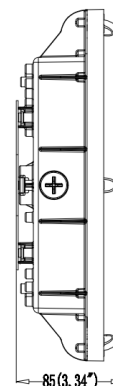
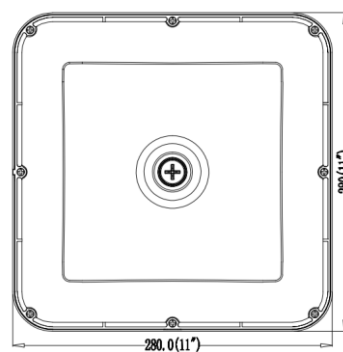
### Motion Sensor



### Specification

Model	HYA-GC2-100W-FG-H-TCP
Watt	60/80/100W Selectable
CCT	3000K/4000K/5000K Selectable
Lighting Efficiency(AC)	132.13 LM/W
Dimmable	0-10V
Environment Location	Wet Location
Voltage	AC120-277V
PF	0.931
CRI	>80
Operating Temperature	-40°F~104°F/ -40°C~40°C
Lamp Shell	Brown
QTY/PACK	4 PCS/PACK
Life Span	≥ 50000h
Package Size	21.25 in x 13.58 in x 13.77 in
Package Weight	21.61 lbs
DLC #	S-B0FD9H

### Dimension

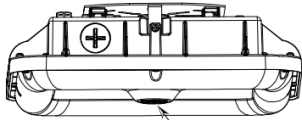




## LED GARAGE CANOPY – GC02 Series

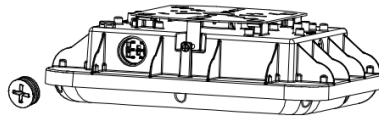
### Steps for Adjusting Color Temperature, and Power

1. Place the fitting face up.

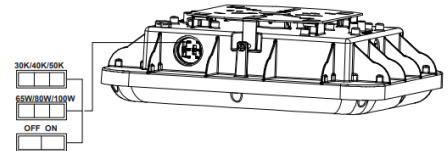


Photosensitive position  
(Transparent plug)

2. Use a screwdriver to remove the screws from the switch box cover and remove the switch box cover.



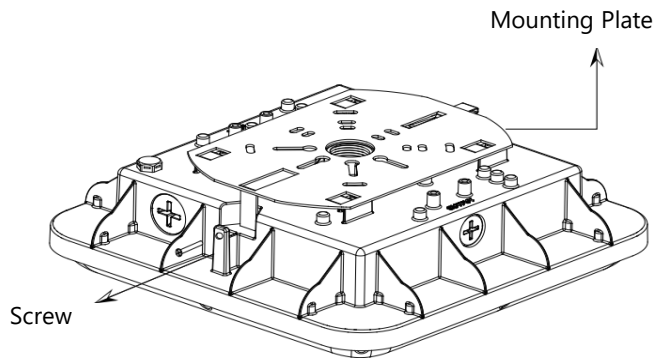
3. According to the requirement of the color temperature and power switch to the designated location.



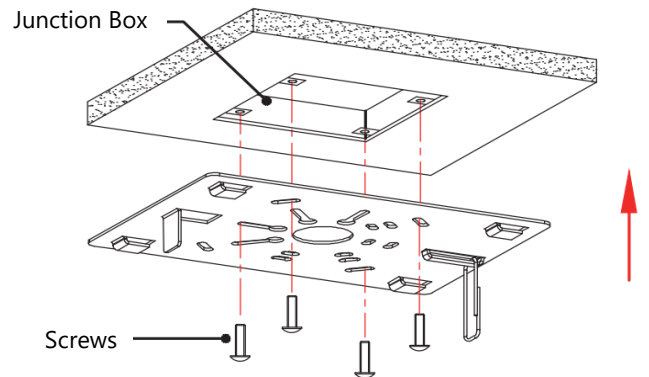
30K/40K/50K  
 60W/80W/100W  
 OFF ON

### Ceiling Installation

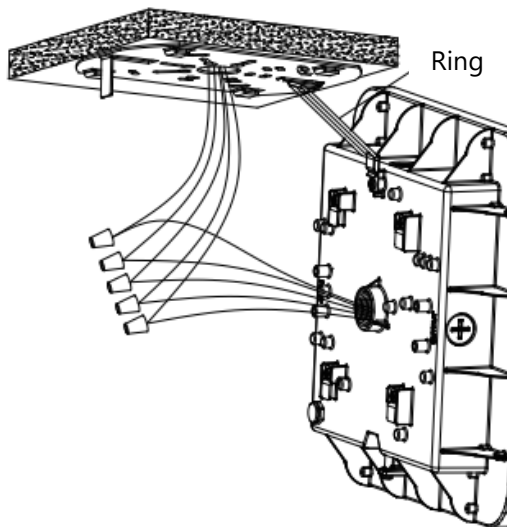
1. Loosen the screw to remove the mounting plate from the lamp.



2. Secure the mounting plate to the embedded junction box using screws.



3. Hang the lamp on the ring and connect it using the terminal caps.



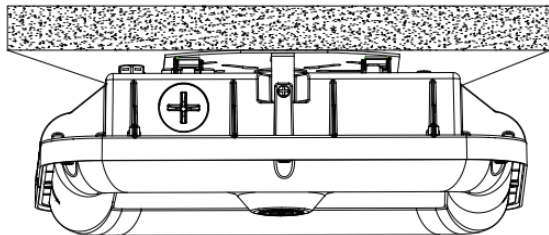
Green	—○—	Green
White	—○—	White
Black	—○—	Black
Dim-	—○—	Pink
Dim+	—○—	Purple

This connection can be omitted if with a non-dim driver

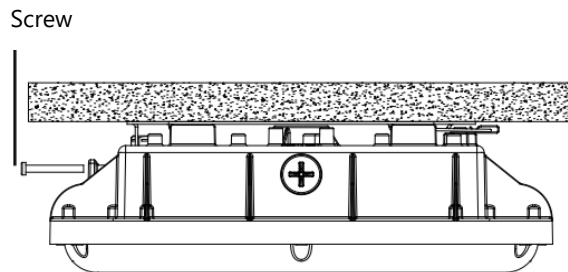


## LED GARAGE CANOPY – GC02 Series

4. Attach the lamp to the mounting plate.

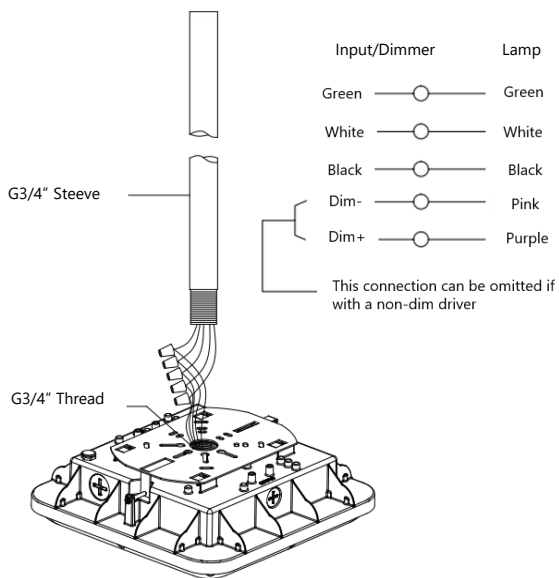


5. Secure the screw to complete the installation.

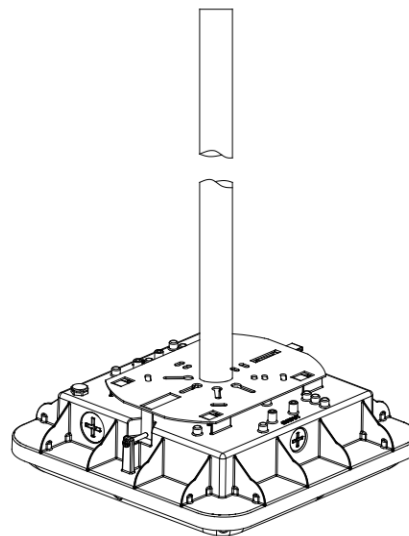


## Pole-pendant Installation

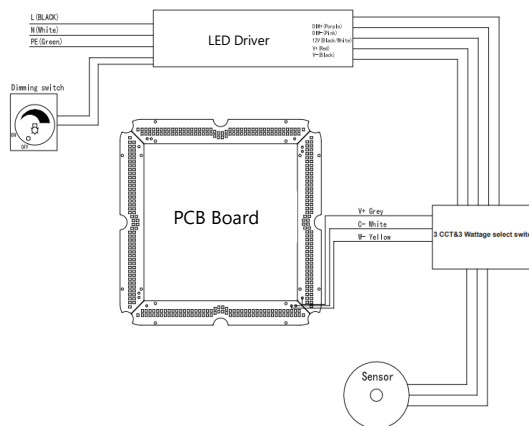
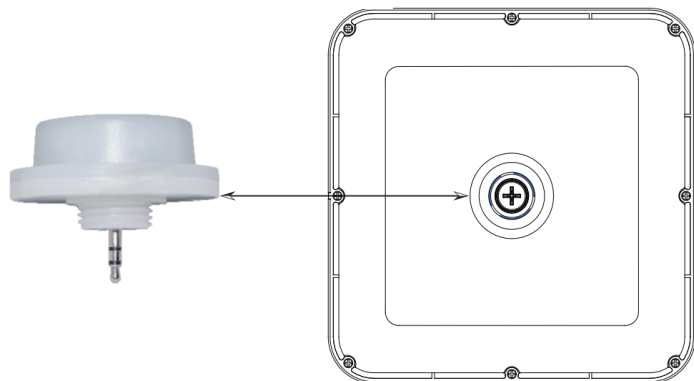
1. Connect the wires using terminal caps as shown in the picture.



2. Rotate the sleeve to secure it with the lamp. Installation is complete.



## Microwave Motion Sensor





## LED CANOPY – GC02 Series

### Cautions

- Electrical work should only be carried out by qualified personnel.
- Ensure all wiring is performed with the power to the lighting fixture turned off.
- Do not disassemble or modify the LED Canopy Light.
- Avoid dropping the LED Canopy Light; take precautions to prevent any strong impacts.
- Keep this product manual in a safe place for future reference.
- The manufacturer and/or seller are not responsible for any damage caused by improper installation by the user(s).
- Ensure the fixture is properly grounded.
- Avoid handling lamps immediately after turning them off, as they may still be hot.
- Do not use the LED Canopy Light near heating appliances or elements.