



LED Center Basket Troffer - TRCB02 Series



Certification



Application: Perfect for commercial offices, healthcare facilities, schools, retail stores, public buildings, warehouses, kitchens, libraries, museums and etc.

Specifications

Model	TRCB02-2X2P-H-TWCCT	TRCB02-2X4P-H-TWCCT
Wattage	15/20/25/30/40W Selectable	20/30/40/50/72W Selectable
Size	2x2	2x4
Lumen Output	5200LM @40W	9360Lm @72W
Driver Current (A)	0.3415@120V 40W 0.1556@277V 40W	0.6031@120V 72W 0.2674@277V 72W
Dimmable	0-10V	
Input Voltage	120-277VAC	
CCT	3000K-3500K-4000K-5000K-6500K Selectable	
Beam Angle	110°	
CRI	Ra>80	
IP Rating	IP20 - Indoor Only	
Surge Protection	DM(L/N):1KV,CM (L/N-PE) :2KV	
Working Temperature	~4°F ~+113°F / ~20°C ~+40°C	
Body Construction	Metal - White Finish	
Life Span	Lumen Maintenance over 70% @ 50,000+ Hours	
DLC ID	S-C0MGRK	S-BSMR5W
PCS/BOX	2	2
Master Box Dimension	655x655x105MM 25.79"x25.79"x4.13"	1260x655x105MM 49.6"x25.79"x4.13"
Master Box Weight	5.62kg/12.39lbs	10.89KG/24.00LB

Ordering Guide

TRCB02-2x2P-H-TWCCT (XX)

TRCB02: LED TRCB02 Series Center Basket Troffer

Size: 2x2P
2x4P

Voltage: H-120-277V

Watt: TW-Tunable Wattage

CCT: 3000K-3500K-4000K-5000K-6500K Selectable

Options: Blank

MS: Motion Sensor

EM: Emergency Backup

MS/EM: Motion&Emergency

Option

Motion Sensor: MS - ANT-7



Power supply	12V~24V DC, >50mA
HF System	5.8GHz±75MHz
Dim control output	0-10V, max. 25mA sinking current
Detection radius/angle	Max 17ft.(5.2m)/360°
Mounting height	Max 13ft(4m)
Remote range	50ft. (15m) indoor, no backlight
Humidity	Max. 95% RH
Temperature	-40°F ~ 158°F (-40°C ~ 70°C)

Emergency Backup: EM - CM08H-YYY



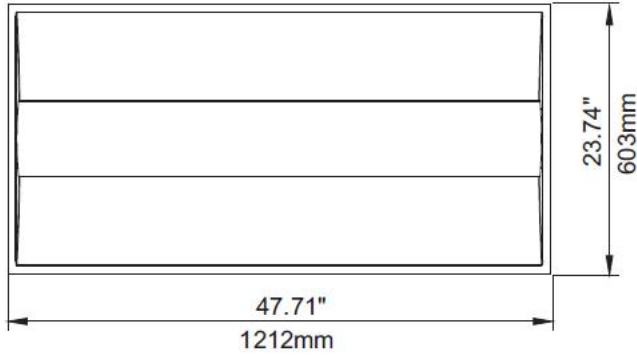
Input Voltage	120-347V
Output Voltage	60-150Vdc
Output Wattage	8W Max
Emergency Time	>90 Minutes
Battery	Li-Ion Battery
Charging Time	>24 Hour



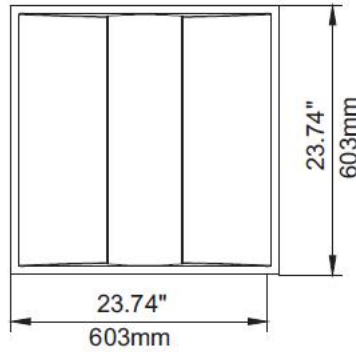
LED Center Basket Troffer - TRCB02 Series

Dimension

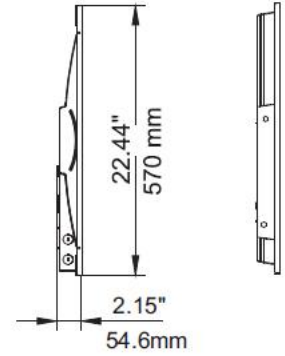
2x4 Front View



2x2 Front View



Side View



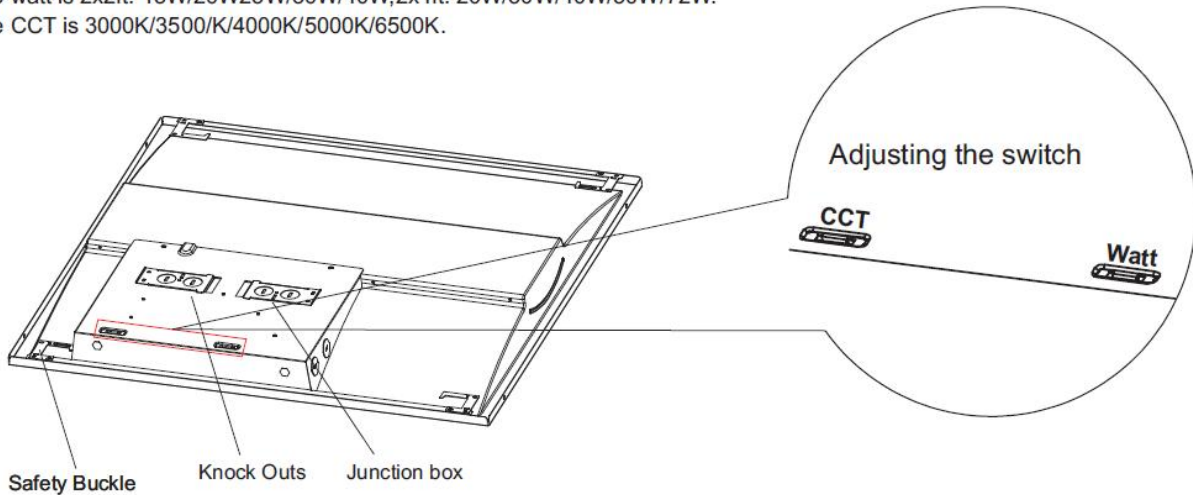
Operating Guide

ADJUSTABLE CCT AND ADJUSTABLE WATT

Adjusting the switch, and making the switch fix on the needed Watt and CCT.

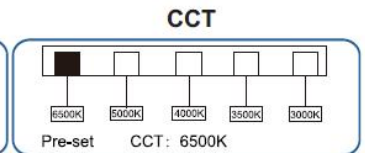
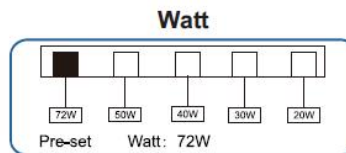
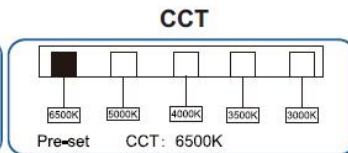
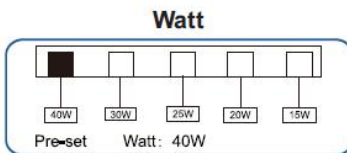
Adjustable watt is 2x2ft: 15W/20W/25W/30W/40W, 2x4ft: 20W/30W/40W/50W/72W.

Adjustable CCT is 3000K/3500K/4000K/5000K/6500K.



2x2ft.

2x4ft.

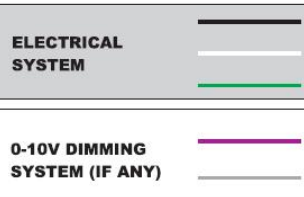


.DISCONNECT POWER BEFORE INSULATING OR SERVICING

.ALL ELECTRICAL WORK SHOULD BE COMPLETED BY QUALIFIED PERSONNEL

.AND MEET NATIONAL (NEC), REGIONAL AND LOCAL ELECTRICAL CODES

WIRING DIAGRAM



BLACK/BROWN = HOT/LINE

WHITE/BLUE = NEUTRAL/COMMON

GREEN/YELLOW = GROUND

PURPLE/BLUE = 0-10V SIGNAL

GREY/WHITE = NEUTRAL/REFERENCE